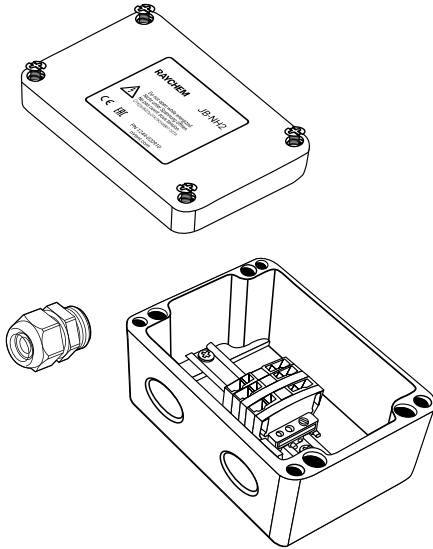


## Junction box for modular system

### PRODUCT OVERVIEW



The Raychem JB-NH2 is a non-hazardous junction box for use with various heating cable types with M25 connection kits.

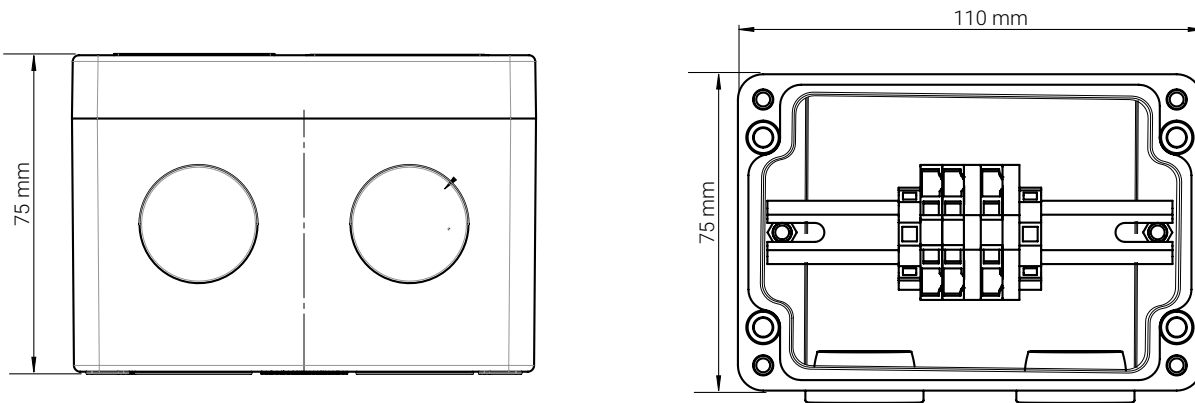
It can be used to make a power connection, splice, or end seal. For use with Raychem industrial parallel self-regulating heating cables.

Through the two entries a heating cable and a power cable, or two heating cables can be accommodated and connected to the DIN-rail mounted terminals. A power cable (M25) gland is included.

The box can be wall mounted via the four holes moulded in the back of the box. For pipe mounting, it is recommended that this box is used with a Raychem support bracket.

### PRODUCT SPECIFICATIONS

#### Dimensions (in mm)



#### Enclosure

Area of use	Ordinary (non-hazardous)
Protection	IP66
Entries	2 x M25
Exposure temperature	-40°C to +90°C
Base	Grey glass filled polymer
Lid	Grey glass filled polymer

## Terminals

MSB 2.5	Din rail mounted, spring-type terminals
Voltage rating	800 Vac
Max. conductor size	Stranded: 2.5 mm <sup>2</sup> Solid: 4 mm <sup>2</sup>
Current rating	Nominal 24 A - Maximum 30 A with 4 mm <sup>2</sup> conductor cross section
Quantity	2 phase and 1 PE

## APPROVALS

For use in ordinary (non-hazardous) area

### Product certification



More details about product certification, approvals and conditions of safe use are available in the installation manual at [www.chemelex.com](http://www.chemelex.com)

## ORDERING INFORMATION

Part description	JB-NH2
PN (Weight)	1244-020910 (0.34 kg)

## Accessories

PN	Name	Description
192932-000	SB-100	Support Bracket with Hollow Profile for Cable, Stainless Steel, Vertical
990944-000	SB-101	Support Bracket, Double-Leg, Stainless Steel, Horizontal
707366-000	SB-110	Support Bracket, Single-Leg, Stainless Steel, Vertical
579796-000	SB-111	Support Bracket, Stainless Steel, Vertical

### North America

Tel +1 800 545 6258  
info@chemelex.com

### Latin America

Tel +1 713 868 4800  
info@chemelex.com

### Europe, Middle East, Africa, India

Tel +32 16 213 511  
Fax +32 16 213 604  
info@chemelex.com

### Asia Pacific

Tel +86 21 2412 1688  
infoAPAC@chemelex.com

**chemelex**  
excellence is everything

**Raychem Tracer Pyrotenax Nuheat**