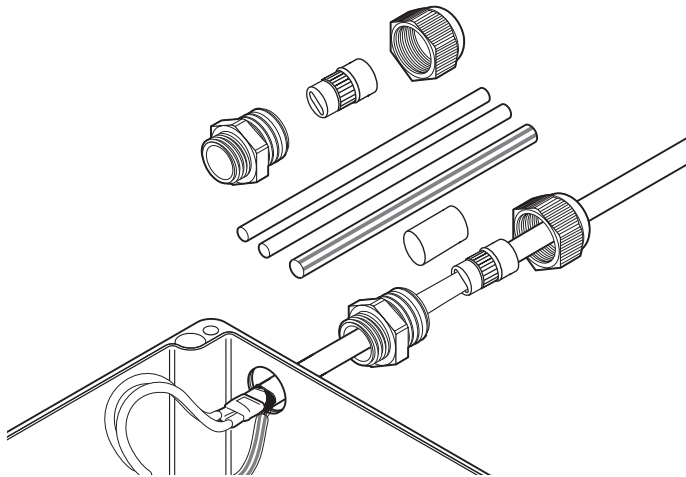


Heat-shrink connection kit

PRODUCT OVERVIEW



This connection kit is designed for connecting all Raychem BSA industrial parallel heating cables to a junction box in ordinary (non-hazardous) area applications, whilst maintaining electrical insulation of the heating cable conductors and core.

The sealing of the heating cable core is provided by heat-shrinkable sleeves. The grommet supplied in this kit enables the gland to maintain optimum sealing under various ambient conditions.

Application

Connection kit for BSA parallel heating cables in ordinary (non-hazardous) area

Kit contents

1 gland with grommet
1 green/yellow tube and heat-shrinkable sleeves for core sealing
1 installation instruction (multilingual)

PRODUCT SPECIFICATIONS

| | |
|-----------------------------------|-----------------|
| Type | Heat-shrinkable |
| Thread size | M25 x 1.5 |
| Min. ambient temperature | -20°C |
| Max. exposure temperature (gland) | 100°C |
| IP ingress protection rating | IP66 |

APPROVALS

For use in ordinary (non-hazardous) area

Product certification



More details about product certification, approvals and conditions of safe use are available in the installation manual at www.chemelex.com.

ORDERING INFORMATION

| | |
|------------------|-----------------------|
| Part description | C25-01 |
| PN (Weight) | 1244-020909 (0.06 kg) |

North America

Tel +1 800 545 6258
info@chemelex.com

Latin America

Tel +1 713 868 4800
info@chemelex.com

Europe, Middle East, Africa, India

Tel +32 16 213 511
Fax +32 16 213 604
info@chemelex.com

Asia Pacific

Tel +86 21 2412 1688
infoAPAC@chemelex.com



Raychem Tracer Pyrotenax Nuheat