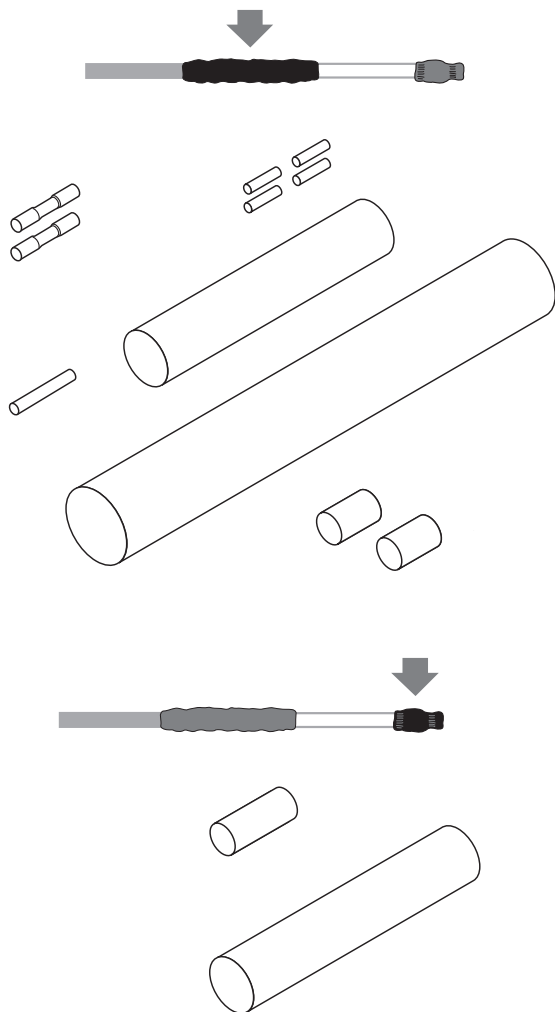


## Cold lead/splice connection and end seal kit

### PRODUCT OVERVIEW



The Raychem CSE-05-DR kit combines the following: in-line connection of a BSA heating cable to a flexible power cable, or in-line joining of 2 BSA heating cables, and end termination of the BSA heating cable.

This kit is designed for use in ordinary area (non hazardous).

It employs easy to use heat-shrinkable tubing with an adhesive, that when heated forms a semi-flexible moisture proof encapsulation.

Electrical continuation is maintained via crimps for the conductors and another crimp connection for the drainwire of the heating cable.

Due to its low profile design the finished power or splice connection and end seal can be installed under the insulation, directly on the pipe.

### Application

In-line cold lead/splice connection and end seal kit for BSA heating cable in ordinary area

### Kit contents

Heat-shrinkable adhesive coated sleeves, insulation sleeves, crimps and installation instruction

## PRODUCT SPECIFICATIONS

---

### Technical details

Max. exposure temperature during operation	85°C
Maximum current rating	32 A
Dielectric strength	1.3 – 3.5 MV/m
Volume resistivity	10 <sup>12</sup> Ω cm
Final dimensions	length approx. 200 mm
Minimum Installation Temperature	-10°C

### Installation details

Heat shrinkable tubing	125°C
Gas torch or equivalent	min. 1460 W hot air gun

## APPROVALS

---

For use in ordinary (non-hazardous) area

### Product certification



More details about product certification, approvals and conditions of safe use are available in the installation manual at [www.chemelex.com](http://www.chemelex.com).

## ORDERING INFORMATION

---

Part description	CSE-05-DR
PN (Weight)	1244-021440 (0.05 kg)

### North America

Tel +1 800 545 6258  
info@chemelex.com

### Latin America

Tel +1 713 868 4800  
info@chemelex.com

### Europe, Middle East, Africa, India

Tel +32 16 213 511  
Fax +32 16 213 604  
info@chemelex.com

### Asia Pacific

Tel +86 21 2412 1688  
infoAPAC@chemelex.com

**chemelex**  
excellence is everything

**Raychem Tracer Pyrotenax Nuheat**