

PRODUCT DESCRIPTION



Self adhering, low profile floor heating mat for installation immediately under ceramic tiles or natural stone.

Raychem QuickNet 160 is sold as a complete pack consisting of a pre-terminated floor heating cable installed on a fiber glass mat and a SENZ WIFI timer thermostat.

QuickNet 160 is the ideal floor heating system when quick heat up time is required. It increases the comfort at home and in the office as well as in your showroom or entrance hall.



ADVANTAGES

The design phase

Ideal heating system during early autumn or spring time as well as the perfect complementary heating system (for example in bathroom as additional heating to a towel dryer)

High power output gives higher heating comfort in areas with poor subfloor insulation

Extremely low installation height ca. 3,5 mm

Ideal for renovation

Can be used in shower areas

Compatible with all stable non combustible subfloors e.g. concrete, anhydrite, plaster, ceramic subfloor,

Following floorings can be applied: Tiles, marble, stones
Max. 30 mm thickness

The installation phase

Fast and easy due to self adhering mat

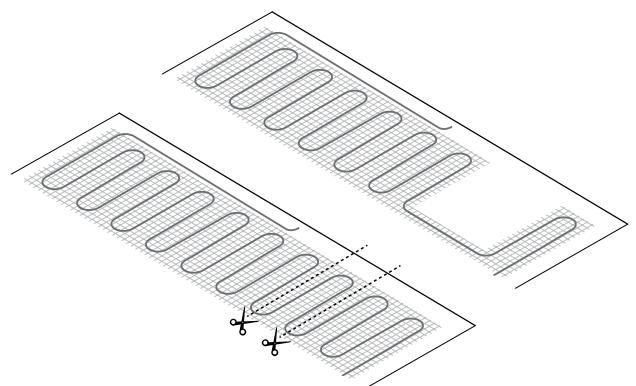
Due to the low profile no issue with heights of existing doors neither with floor level of existing stairs

Due to the dual conductor cable only one cold lead connection which enables easy lay-out and installation of the mats

Several heating mat sizes available to fit in all the rooms

Cable easily detachable from the mat with only 2 cuts in the mat. Loose cable can then be used to go around obstacles.

Cable is protected by the mat during installation phase.



The application

Ideal heating for comfort in your bathroom, kitchen and conservatory

Quick heat up time due to high power of the heating mat

Extra low energy consumption and possibility to control and monitor from a distance with the WIFI enabled and EcoDesign compliant touchscreen SENZ WIFI timer thermostat

No measurable electro-magnetic fields due to the dual conductor heating cable

Long life and maintenance free



TECHNICAL DATA

Nominal power	160 W/m ²
Voltage	230 Vac
Max. exposure temperature	120°C
Min. installation temperature	+ 5°C
Heating cable	Low smoke, zero halogen
Cold lead	1 x 5 m cold lead, cross section 3 x 1,0 mm ²
Mat	Self adhering fiber glass mat
Wet room	Approved, ELCB 30mA required
Circuit breaker	C13 A with max. heating mat surface till 18 m ²
Approvals	VDE, Semko CE

RELATED RAYCHEM PRODUCTS

SENZ WIFI

SENZ WIFI is top class WIFI enabled Touchscreen thermostat with the following features:

- Energy Efficient and EcoDesign compliant:
 - Electronic room temperature control with weekly schedule
 - Adaptive start control
 - Open window detection
 - Distance control and monitoring
- Ease of installation:
 - Intuitive setup-wizard
- APP controlled from anywhere:
 - Programming the 3 Economic modes has never been easier than through an APP
 - Switching between program modes can be done from anywhere with the APP
 - Temporary adjustments on the normal schedule like BOOSTING the temperature for desired period of time or overriding the schedule until the next scheduled event
 - Controlling the entire home (up to 32 zones) with the APP
 - Holiday mode is combining the best of both worlds lowering down energy consumption while adding a high level of comfort. Your floor will be back at comfortable temperature right before you enter the home

REFERENCE NUMBER

QuickNet 160					
Product Name	Without thermostat	With SENZ WIFI thermostat	Area	Output	Dimensions (W x L in m)
R-QN-P-1,0M2	SZ18300294	SZ18300261	1	160	0,5 x 2,0
R-QN-P-1,5M2	SZ18300295	SZ18300262	1.5	240	0,5 x 3,0
R-QN-P-2,0M2	SZ18300296	SZ18300263	2	320	0,5 x 4,0
R-QN-P-2,5M2	SZ18300297	SZ18300264	2.5	400	0,5 x 5,0
R-QN-P-3,0M2	SZ18300298	SZ18300265	3	480	0,5 x 6,0
R-QN-P-3,5M2	SZ18300299	SZ18300266	3.5	560	0,5 x 7,0
R-QN-P-4,0M2	SZ18300300	SZ18300267	4	640	0,5 x 8,0
R-QN-P-4,5M2	SZ18300301	SZ18300268	4.5	720	0,5 x 9,0
R-QN-P-5,0M2	SZ18300302	SZ18300269	5	800	0,5 x 10,0
R-QN-P-6,0M2	SZ18300303	SZ18300270	6	960	0,5 x 12,0
R-QN-P-7,0M2	SZ18300304	SZ18300271	7	1120	0,5 x 14,0
R-QN-P-8,0M2	SZ18300305	SZ18300272	8	1280	0,5 x 16,0
R-QN-P-9,0M2	SZ18300306	SZ18300273	9	1440	0,5 x 18,0
R-QN-P-10,0M2	SZ18300307	SZ18300274	10	1600	0,5 x 20,0

SUBFLOOR PREPARATION

The subfloor should be clean, stable and rigid, without cracks or adhesion-reducing substances and made of non combustible material. Large cracks in the subfloor should be filled prior to laying the mat.

Uneven surfaces will need to be levelled prior to installation. With cement plaster and anhydrite plaster, one should ensure that the substance has dried sufficiently according to the applicable norms. Anhydrite plaster should be smoothed and dust free. With quickly solidifying plaster, one should follow the suppliers instructions.

Apply a layer of tile glue primer (dependent on subfloor) to the floor before installing the mat to ensure good adhesion of the QuickNet to the subfloor.

The heating cable should not be installed under bath tubs, shower cabins, surface covering furniture, etc.
The heating cable should not be installed where holes will be drilled in the floor.

Application norms, rules and data sheets as well as instructions and manuals are to be followed!

INSTALLATION INSTRUCTION

The QuickNet cold lead is inserted in a flexible tubing and connected to the connection box. QuickNet 160 shall always be controlled by an electric underfloor heating thermostat with external floor sensor and compliant with the EcoDesign directive (like the NRG-DM, GREEN LEAF or SENZ WIFI). The thermostat sensor, which is also protected in a flexible tubing (3m included in R-QN-P), is positioned centrally between two heating cable runs and as close as possible to the final floor covering.

QuickNet 160 can be used under tiles and natural stone. The mat can even be embedded directly in the tile glue (in that case make sure it is embedded in at least 5mm of tile glue).

FLOOR CONSTRUCTION FOR TILE OR NATURAL STONE

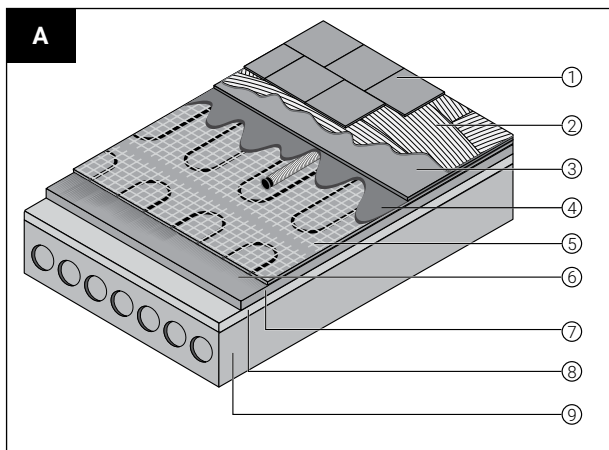


Fig A:

- 1 Floor covering (can be tile or natural stone)
- 2 Tile glue
- 3 (Waterproofing layer – optional for shower areas)
- 4 (Filler material – Optional)
- 5 QuickNet + Floor sensor inserted in sensor tube
- 6 Primer
- 7 Sub floor
- 8 Insulation
- 9 Bearing construction

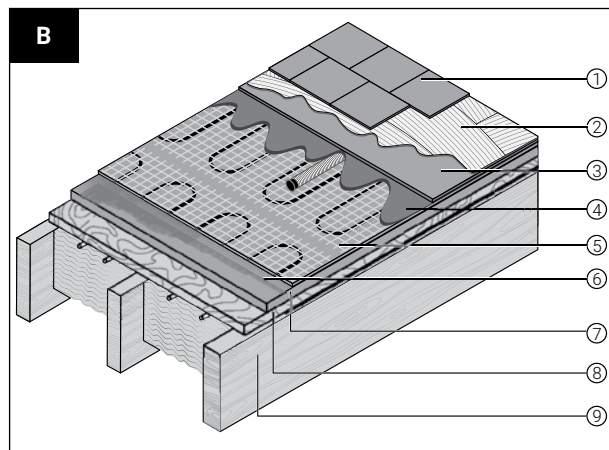


Fig B:

- 1 Floor covering (can be tile or natural stone)
- 2 Tile glue
- 3 (Waterproofing layer – optional for shower areas)
- 4 (Filler material – Optional)
- 5 QuickNet + Floor sensor inserted in sensor tube
- 6 Primer
- 7 Gypsum plasterboard $\geq 13\text{mm}$
- 8 Wooden plate
- 9 Joist and insulation layer between the joists

For detailed installation instructions refer to SZ12300106 - IM-EU1252.

Europe, Middle East, Africa, India

Tel +32 16 213 511

Fax +32 16 213 604

info@chemelex.com

chemelex
excellence is everything

Raychem Tracer Pyrotenax Nuheat