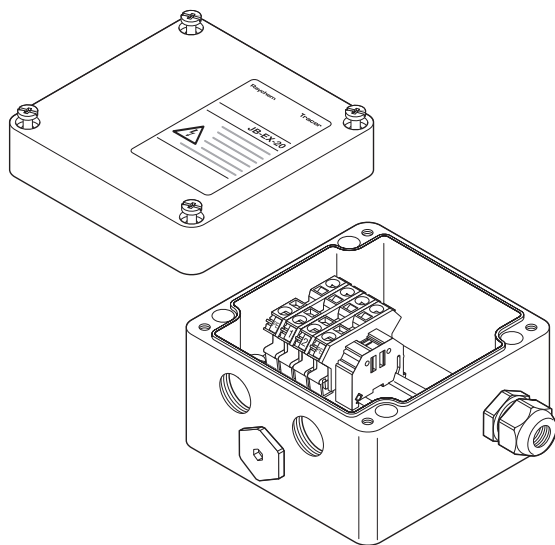


JB-EX-20 and JB-EX-20-EP

Raychem

Multi purpose junction box

PRODUCT OVERVIEW



Industrial junction box for use in hazardous areas with Raychem FMT, FHT and PI heating cables. This box can be used to make connections between power cables, heating cables and cold lead cables. Depending on the configuration of the system, the box can accommodate heating cables, cold leads and a power cable. Raychem M20 connection kits have to be ordered separately depending on the type of heating cable being used.

Cable connection is via DIN rail mounted Spring-type terminals to provide fast installation and safe, reliable, maintenance-free operation.

The box can be either wall or pipe mounted via the four holes moulded in the base of the box. For pipe mounting, use one of the standard support brackets.

Typical use

JB-EX-20	JB-EX-20-EP
Power supply box for series heating cables (PI) and constant wattage parallel heating cables (FMT & FHT) or end box (star) for series heating cables (PI), when using M20 connection kits	

Entries

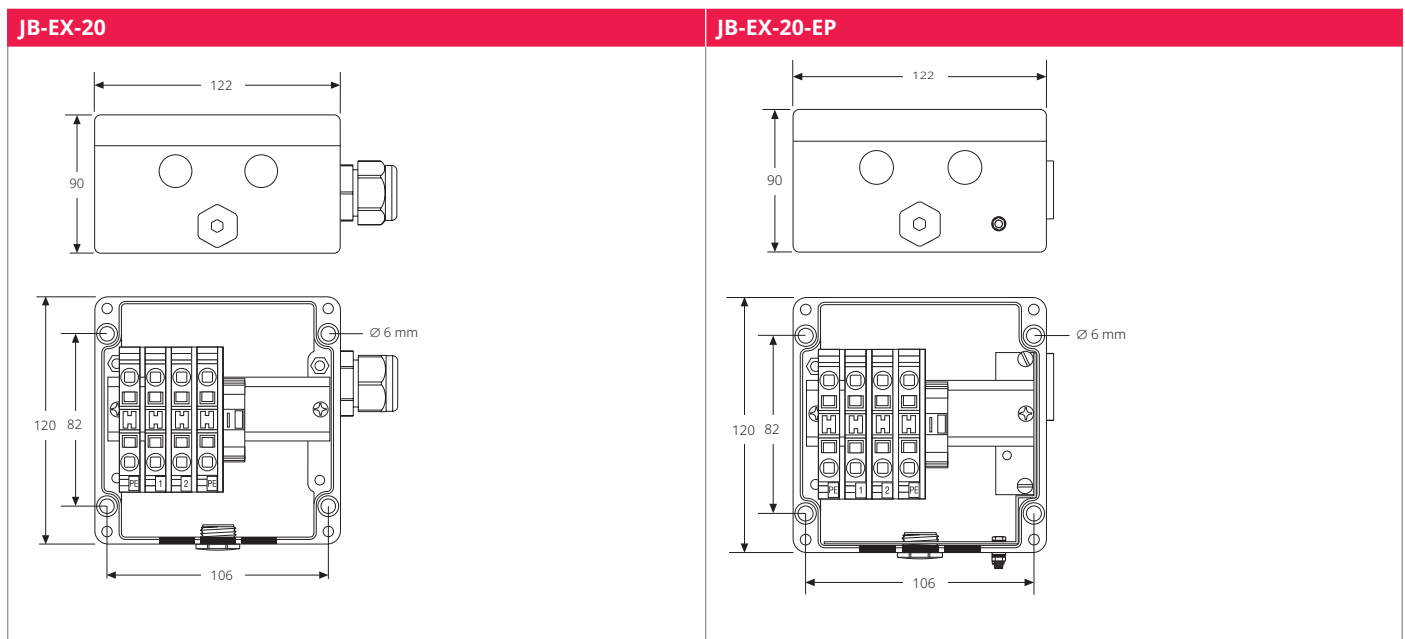
3 x M20	3 x M20
1 x M25	1 x M25

Kit contents

Junction box with spring-type terminals on DIN rail	Junction box with spring-type terminals on DIN rail, earthing plate and an external earth stud
1 x M20 stopping plug	1 x M20 stopping plug
2 x M20 rain plugs (temporary)	2 x M20 rain plugs (temporary)
1 x M25 Hazardous area approved cable gland for power cables with Ø of 8-15 mm	1 x M25 rain plug (temporary)
1 x terminal jumper allowing various wiring configurations (remove terminal plate)	

PRODUCT SPECIFICATIONS

Dimensions (in mm)



Materials of construction

	JB-EX-20	JB-EX-20-EP
Box & lid	Electrostatic charge-resistant glass-filled engineered polymer, black	Electrostatic charge-resistant glass-filled engineered polymer, black
Sealing gasket	Silicone rubber	Silicone rubber
Lid fixing screws	Stainless steel (captive)	Stainless steel (captive)
Earthing plate	N.A.	Steel, zinc plated and blue chromated

Technical details

Ingress protection	IP66	IP66
Ambient temperature range	-55°C to +55°C	-55°C to +55°C
Terminals		
Quantity	4 pcs, spring-type	4 pcs, spring-type
Labeling	1, 2 + 2 x PE	1, 2 + 2 x PE
Maximum conductor size	10 mm ² (solid & stranded)	10 mm ² (solid & stranded)
Maximum operating voltage	590 Vac	590 Vac
Maximum operating current	53 A	53 A

APPROVALS

For use in ordinary and hazardous area Zone 1 and Zone 2 (Gas), Zone 21 and Zone 22 (Dust)

Temperature classification

T6

Product certification



More details about product certification, approvals and conditions of safe use are available in the installation manual at www.chemelex.com.

ORDERING INFORMATION

Order reference	JB-EX-20	JB-EX-20-EP
Part number (Weight)	1244-000590 (0,9 kg)	1244-006384 (1 kg)

Accessories (to be ordered separately)

	JB-EX-20	JB-EX-20-EP
Support bracket	SB-100, SB-101, SB-110, SB-111	SB-100, SB-101, SB-110, SB-111
Power cable gland	GL-55-M25 (included) up to -55°C, 8-15 mm	GL-38-M25-METAL (optional) bis -60 °C, Innendurchmesser 10-13.5 mm, Außendurchmesser 13.5-21 mm
Loose terminals (*)	Phase/neutral terminal: HWA-WAGO-PHASE Earth terminal: HWA-WAGO-EARTH End plate: HWA-WAGO-ENDPLATE Terminal jumper: HWA-WAGO-JUMPER	
Connection kit for FMT and FHT heating cables	C20-01-F hot applied connection kit with plastic gland	C20-02-F cold applied connection kit with metal gland
Insulation entry kit for FMT and FHT heating cables	IEK-25-04 or IEK-25-PIPE	IEK-25-04 or IEK-25-PIPE
Gland for PI cold leads	C20-PI-PA-KIT Hazardous area approved gland, PA, up to -40°C	C20-PI-M0-KIT Hazardous area approved gland, Ni plated brass, up to -55°C (to be used with boxes with integral earth plate or with earth lug)
Insulation entry kit for PI cold leads	IEK-20-PI	IEK-20-PI
Gland for MI cold leads	Contact Chemelex or refer to DOC-606	Contact Chemelex or refer to DOC-606
Stopping plug	HWA-PLUG-M20-EXE-PLASTIC	HWA-PLUG-M20-EXE-PLASTIC

(*) in total no more than 6 terminals of this type should be installed.

North America

Tel +1.800.545.6258
info@chemelex.com

Latin America

Tel +1.713.868.4800
info@chemelex.com

Europe, Middle East, Africa

Tel +32.16.213.511
Fax +32.16.213.604
info@chemelex.com

Asia Pacific

Tel +86.21.2412.1688
infoAPAC@chemelex.com



Raychem Tracer Pyrotenax Nuheat