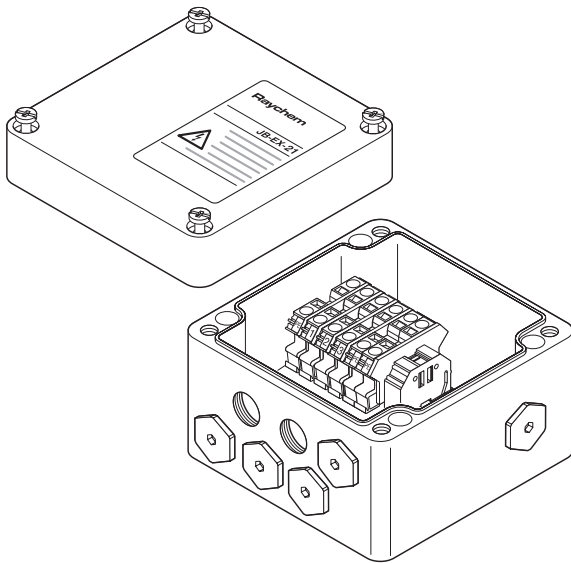


## Multi purpose junction box

### PRODUCT OVERVIEW



Industrial polyester junction box for use in hazardous areas. This box can be used to make connections between power cables, heating cables and cold lead cables using M20 connection kits. Depending on the configuration of the system, the box can accommodate six heating cables/cold leads and a power cable. M20 connection kits have to be ordered separately depending on the type of heating cable being used. Cable connection is accomplished via DIN rail mounted spring-type terminals.

The box can be either wall or pipe mounted via the four holes moulded in the base of the box. For pipe mounting use one of the standard support bracket.

### Typical use

Power supply box, end-box, splice box (3-phase and loop), marshalling box.

### Entries

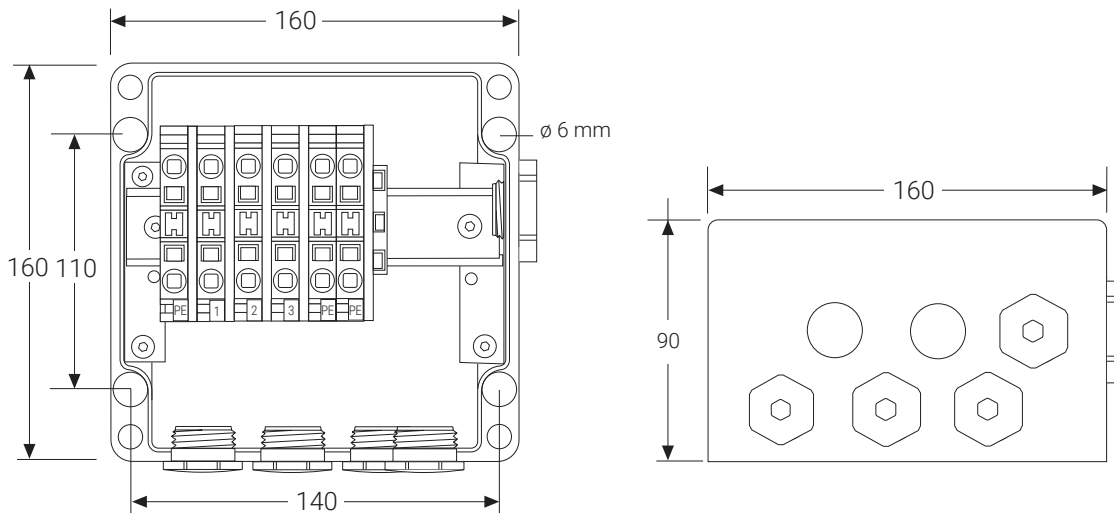
6 x M20  
1 x M32

### Kit contents

- 1 x junction box with terminals on DIN rail
- 4 x M20 stopping plugs
- 2 x M20 rain plug (temporary)
- 1 x M32 stopping plug
- 1 x terminal jumper allowing various wiring configurations (remove terminal plate)

## PRODUCT SPECIFICATIONS

### Dimensions (in mm)



### Materials of construction

Box & lid	Electrostatic charge-resistant glass-filled engineered polymer, black
Sealing gasket	Silicone rubber
Lid fixing screws	Stainless steel (captive)

### Technical details

Ingress protection	IP66
Ambient temperature range	-55°C to +55°C

### Terminals

Quantity	6 pc.
Type	Spring-type
Labeling	1, 2, 3, 3 x PE
Maximum conductor size	10 mm <sup>2</sup> (solid & stranded)
Maximum operating voltage	550 Vac
Maximum operating current	53 A

## APPROVALS

For use in ordinary and hazardous area Zone 1 and Zone 2 (Gas), Zone 21 and Zone 22 (Dust)

### Temperature classification

T6

### Product certification



More details about product certification, approvals and conditions of safe use are available in the installation manual at [www.chemelex.com](http://www.chemelex.com).

## ORDERING INFORMATION

Order reference	Raychem JB-EX-21
Part number (Weight)	1244-000579 (1.2 kg)

## Accessories (to be ordered separately)

	JB-EX-20	JB-EX-21
Support Bracket	SB-100, SB-101, SB-110, SB-111	SB-100, SB-101
Power cable gland	GL-55-M25 (included) up to -55°C, 8-15 mm	GL-45-M32 hazardous area approved gland for cables Ø 14-21 mm, up to -55°C
Loose terminals (*)	Phase/neutral terminal: HWA-WAGO-PHASE Earth terminal: HWA-WAGO-EARTH End plate: HWA-WAGO-ENDPLATE Terminal jumper: HWA-WAGO-JUMPER	
Connection kit for FMT and FHT heating cables	C20-01-F hot applied connection kit with plastic gland	C20-02-F hot applied connection with metal gland
Insulation entry kit for FMT and FHT heating cables	IEK-25-04 or IEK-25-PIPE	IEK-25-04 or IEK-25-PIPE
Gland for PI cold leads	C20-PI-PA-KIT Hazardous area approved gland, PA, up to -40°C	C20-PI-M0-KIT Hazardous area approved gland, Ni plated brass, up to -55°C (to be used with boxes with integral earth plate or with earth lug)
Insulation entry kit for PI cold leads	IEK-20-PI	IEK-20-PI
Stopping plug	HWA-PLUG-M20-EXE-PLASTIC	HWA-PLUG-M20-EXE-PLASTIC

(\*) in total no more than 10 terminals should be installed.

### North America

Tel +1 800 545 6258  
info@chemelex.com

### Latin America

Tel +1 713 868 4800  
info@chemelex.com

### Europe, Middle East, Africa, India

Tel +32 16 213 511  
Fax +32 16 213 604  
info@chemelex.com

### Asia Pacific

Tel +86 21 2412 1688  
infoAPAC@chemelex.com

**chemelex**  
excellence is everything

**Raychem Tracer Pyrotenax Nuheat**