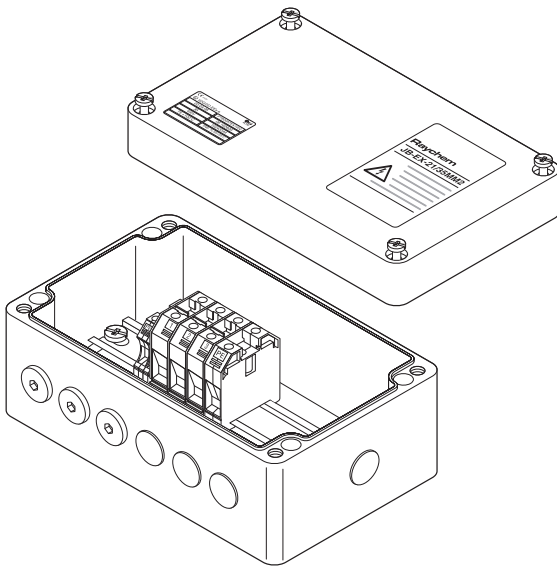


## Multi purpose junction box

### PRODUCT OVERVIEW



Industrial junction box for use in hazardous areas with PI and MI heating cables when large terminal sizes are required.

This box can be used to make connections between power cables, heating cables and cold lead cables. Depending on the configuration of the system, the box can accommodate multiple heating cables/cold leads and a power cable.

The M20 connection kits have to be ordered separately depending on the type of heating cable being used.

Cable connection is accomplished via DIN rail mounted screw terminals from Weidmuller to provide safe, reliable and maintenance-free operation.

The box can be wall mounted via the four holes moulded in the base of the box.

### Typical use

Power supply box, end-box, splice box for series heating cables (PI), when using M20 connection kits.  
Marshalling box for power cables.

### Entries

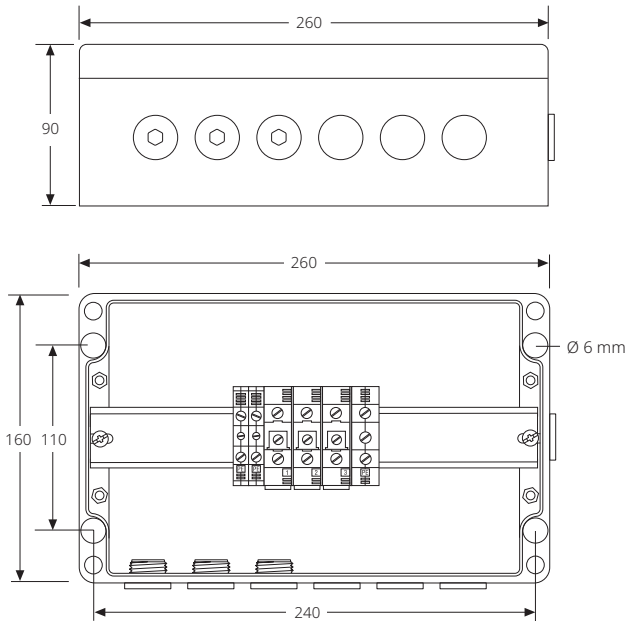
6 x M20  
1 x M40

### Kit contents

1 x Junction box with screw terminals on DIN rail  
3 x M20 stopping plugs  
3 x M20 rain plugs (temporary)  
1 x M40 stopping plug

## PRODUCT SPECIFICATION

### Dimensions (in mm)



### Materials of construction

Box & lid	Electrostatic charge-resistant glass-filled engineered polymer, black
Sealing gasket	Silicone rubber
Lid fixing screws	Stainless steel (captive)

### Technical details

Ingress protection	IP66
Ambient temperature range	-55°C to +55°C

### Terminals

Quantity & type	3 pcs WDU35 screw terminals 2 pcs WPE10 earth terminals for heating cable earth leads 1 pc WPE35 earth terminal for power cable Junction box can accommodate up to 6 fully loaded phase/neutral terminals (maximum 10 terminals in total)
Labelling	1, 2, 3 + 3 x PE
Minimum conductor size	2.5 mm <sup>2</sup> stranded & solid
Maximum conductor size	35 mm <sup>2</sup> stranded & 16 mm <sup>2</sup> solid
Maximum operating voltage	690 Vac
Maximum operating current	100 A

## APPROVALS

For use in ordinary and hazardous area Zone 1 and Zone 2 (Gas), Zone 21 and Zone 22 (Dust)

### Temperature classification

T6

### Product certification



More details about product certification, approvals and conditions of safe use are available in the installation manual at [www.chemelex.com](http://www.chemelex.com).

## ORDERING INFORMATION

---

Order reference Raychem JB-EX-21/35MM2

Part number (Weight) 1244-006653 (1.9 kg)

### Accessories (to be ordered separately)

---

Glands for power cables GL-51-M40 hazardous area approved gland for cables  $\varnothing$  19-28 mm, up to  $-55^{\circ}\text{C}$   
GL-45-M32 hazardous area approved gland for cables  $\varnothing$  14-21 mm, up to  $-55^{\circ}\text{C}$

Reducer REDUCER-M40/32-EEXE hazardous area M40 male to M32 female reducer

Loose terminals  
35 mm<sup>2</sup> phase/neutral terminal: HWA-WDM-PHASE-35  
10 mm<sup>2</sup> earth terminal: HWA-WDM-EARTH-10  
35 mm<sup>2</sup> earth terminal: HWA-WDM-EARTH-35  
Endplate: HWA-WDM-PLATE  
Terminal jumper (2): HWA-WDM-JUMPER-35-2  
Terminal jumper (3): HWA-WDM-JUMPER-35-3

Gland for PI cold leads C20-PI-PA-KIT Hazardous area approved gland, PA, up to  $-40^{\circ}\text{C}$   
C20-PI-M0-KIT Hazardous area approved gland, Ni plated brass, up to  $-55^{\circ}\text{C}$   
(to be used with boxes with integral earth plate or with earth lug)

Insulation entry kit for PI cold leads IEK-20-PI

---

#### North America

Tel +1 800 545 6258  
info@chemelex.com

#### Latin America

Tel +1 713 868 4800  
info@chemelex.com

#### Europe, Middle East, Africa, India

Tel +32 16 213 511  
Fax +32 16 213 604  
info@chemelex.com

#### Asia Pacific

Tel +86 21 2412 1688  
infoAPAC@chemelex.com

---

**chemelex**  
excellence is everything

**Raychem Tracer Pyrotenax Nuheat**