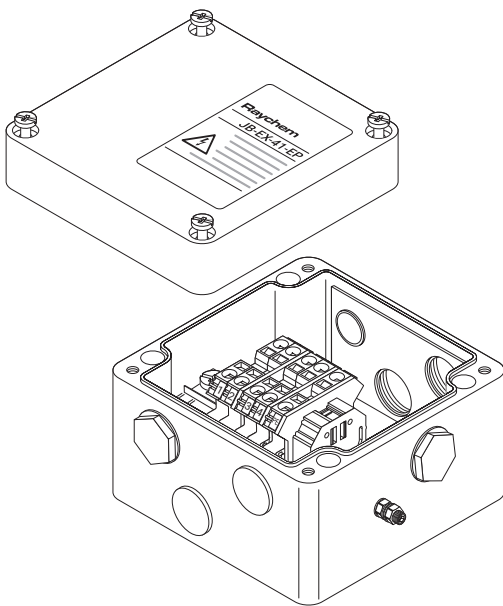


## Multi purpose junction box

### PRODUCT OVERVIEW



Industrial polyester junction box with earth plate for use in hazardous areas. This box can be used to make connections between power cables, heating cables and cold lead cables using M25 metallic connection kits or glands. Earthing of the connections is realized via the earth plate

Depending on the configuration of the system, the box can accommodate 6 cold lead entries and/or a power cable.

M25 connection kits have to be ordered separately or are integrated in the heating unit (eg MI heating units), depending on the type of heating cable being used. Cable connection is accomplished via DIN rail mounted spring-type terminals.

The box can be either wall or pipe mounted via the four holes moulded in the base of the box. For pipe mounting use one of the standard support bracket.

### Typical use

Power supply box, (power) splice box, (power) tee box, marshalling box.

### Entries

6 x M25

1 x M25

### Kit contents

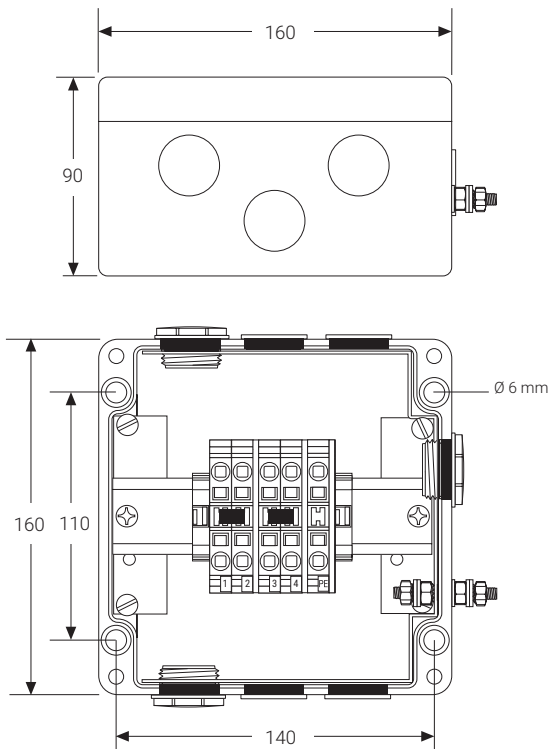
1 x junction box with terminals on DIN rail

3 x M25 stopping plugs

4 x M25 rain plug (temporary)

## PRODUCT SPECIFICATION

### Dimensions (in mm)



### Materials of construction

Box & lid	Electrostatic charge-resistant glass-filled engineered polymer, black
Sealing gasket	Silicone rubber
Lid fixing screws	Stainless steel (captive)

### Technical details

Ingress protection	IP66
Ambient temperature range	-55°C to +55°C

### Terminals

Quantity	5 pcs, bridged per 2
Type	Spring-type
Labeling	1, 2, 3, 4, PE
Maximum conductor size	10 mm <sup>2</sup> (solid & stranded)
Maximum operating voltage	550 Vac
Maximum operating current	53 A

## APPROVALS

For use in ordinary and hazardous area Zone 1 and Zone 2 (Gas), Zone 21 and Zone 22 (Dust)

### Temperature classification

T6

### Product certification

Present logos of available certificates



More details about product certification, approvals and conditions of safe use are available in the installation manual at [www.chemelex.com](http://www.chemelex.com).

## ORDERING INFORMATION

---

Order reference	JB-EX-41-EP
Part number (Weight)	1244-020506 (1.9 kg)

(\*) in total no more than 7 terminals should be installed.

### Accessories (to be ordered separately)

---

Support bracket	SB-100, SB-101, SB-130 (for fixation to cable tray)
Gland for MI cold leads	Integrated in MI heating unit or contact Chemelex for more information
Gland for power cable	GL-55-M25 (Polyamide) up to -55°C, 8-15 mm GL-38-M25-METAL (Ni plated brass) up to -60°C, inner diam. 10-13.5 mm, outer diam. 13.5-21 mm
Loose terminals (*)	Phase/neutral terminal: HWA-WAGO-PHASE Earth terminal: HWA-WAGO-EARTH End plate: HWA-WAGO-ENDPLATE Terminal jumper: HWA-WAGO-JUMPER

#### North America

Tel +1 800 545 6258  
info@chemelex.com

#### Latin America

Tel +1 713 868 4800  
info@chemelex.com

#### Europe, Middle East, Africa, India

Tel +32 16 213 511  
Fax +32 16 213 604  
info@chemelex.com

#### Asia Pacific

Tel +86 21 2412 1688  
infoAPAC@chemelex.com

---

**chemelex**  
excellence is everything

**Raychem Tracer Pyrotenax Nuheat**