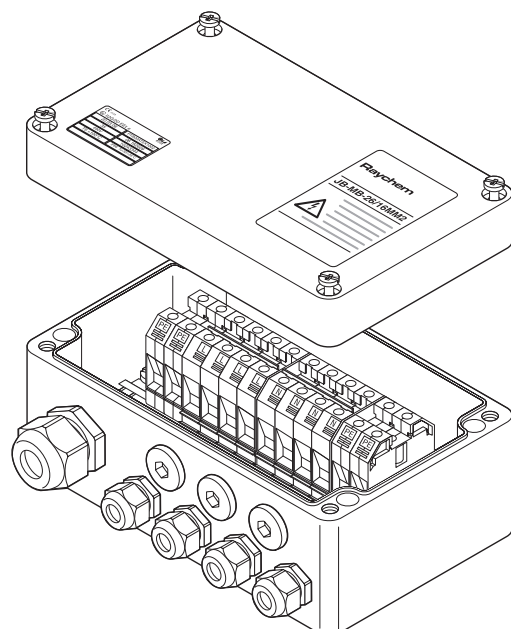
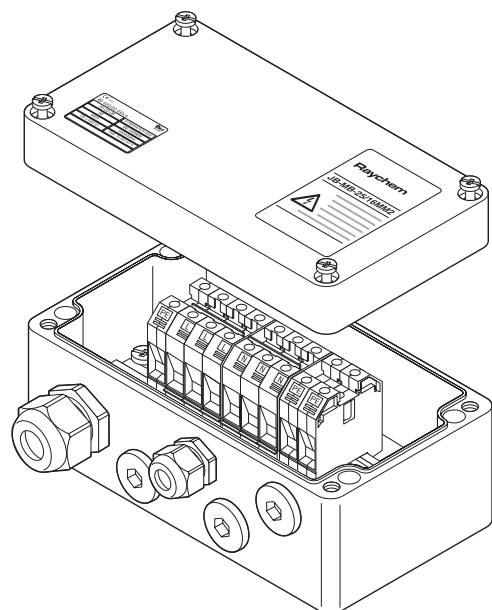


JB-MB-25/16MM2 and JB-MB-26/16MM2

Raychem

Marshalling box

PRODUCT OVERVIEW



Both connection boxes are ATEX approved polyester marshalling boxes that can be used in hazardous areas.

The Raychem JB-MB-25/16MM2 is intended to split a power cable into a maximum of four subsequent heat-tracing feeders, while the JB-MB-26/16MM2 allows the connection of maximum seven subsequent heat-tracing feeders. They are particularly suited for powering multiple short heat-tracing circuits from a single supply point, typically in instrumentation areas or where the power infrastructure is limited.

Cable connection is accomplished via DIN rail mounted screw terminals that allow the connection of a wide range of cable cross sections. The terminals are already equipped with the necessary terminal jumpers to minimize installation time.

Both boxes can be wall mounted via the four holes moulded in base of each box.

The JB-MB-25/16MM2 can also be pipe mounted with a standard support bracket.

Typical use

JB-MB-25/16MM2	JB-MB-26/16MM2
Marshalling box	Marshalling box

Entries

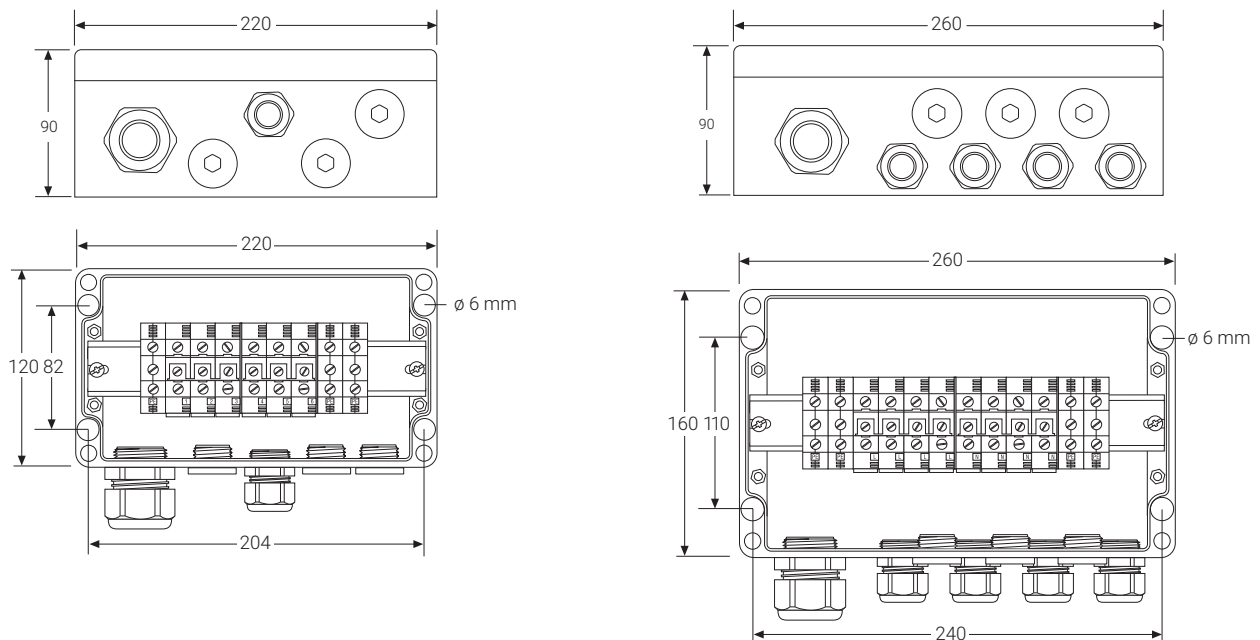
1 x M32	1 x M32
4 x M25	7 x M25

Kit contents

1 junction box with Weidmüller screw terminals on DIN rail, two sets bridged per three and three earth terminals,	1 junction box with Weidmüller screw terminals on DIN rail, two sets bridged per four and four earth terminals,
1 M32 Hazardous area approved cable gland for power cables with \varnothing of 14 to 21 mm,	1 M32 Hazardous area approved cable gland for power cables with \varnothing of 14 to 21 mm,
1 M25 Hazardous area approved cable gland for power cables with \varnothing of 8 to 15 mm,	4 M25 Hazardous area approved cable glands for power cables with \varnothing of 8 to 15 mm,
3 M25 stopping plugs	3 M25 stopping plugs

PRODUCT SPECIFICATIONS

Dimensions (in mm)



Materials of construction

	JB-MB-25/16MM2	JB-MB-26/16MM2
Box & lid	Glass filled polyester	Glass filled polyester
Sealing gasket	Silicone rubber	Silicone rubber
Lid fixing screws	Stainless steel (captive)	Stainless steel (captive)

Technical details

	JB-MB-25/16MM2	JB-MB-26/16MM2
Ingress protection	IP66	IP66
Ambient temperature range	-55°C to +55°C	-55°C to +55°C
Terminals		
Quantity & type	9 pcs Weidmüller screw terminals, bridged per 3, 6 x WDU16, 3 x WPE16, Max. 8 fully loaded phase/neutral terminals; max. 12 terminals in total	12 pcs Weidmüller screw terminals, bridged per 4, 8 x WDU16 and 4 x WPE16, Max. 10 fully loaded phase/neutral terminals; max. 15 terminals in total
Labelling	1, 2, 3, 4, 5, 6 and PE	L, N and P.E.
Minimum conductor size	1.5 mm ² stranded & solid	1.5 mm ² stranded & solid
Maximum conductor size	25 mm ² stranded, 16 mm ² solid	25 mm ² stranded, 16 mm ² solid
Maximum operating voltage	550 Vac	550 Vac
Maximum operating current	50 A	50 A

APPROVALS

For use in ordinary and hazardous area Zone 1 and Zone 2 (Gas), Zone 21 and Zone 22 (Dust)

Temperature classification

T6

Product certification



More details about product certification, approvals and conditions of safe use are available in the installation manual at www.chemelex.com.

ORDERING INFORMATION

Order reference	JB-MB-25/16MM2	JB-MB-26/16MM2
Part number (Weight)	1244-006656 (0.9 kg)	1244-006657 (1.9 kg)

Accessories (to be ordered separately)

Support bracket PN	SB-125 165886-000	N.A. (wall mounting)
M25 Power cable gland PN	GL-55-M25 (1 included) 1244-019083	GL-55-M25 (4 included) 1244-019083
M32 Power cable gland PN	GL-45-M32 (included) 1244-000847	GL-45-M32 (included) 1244-000847
M25 Stopping plug PN	HWA-PLUG-M25-PLASTIC (3 included) 434994-000	HWA-PLUG-M25-PLASTIC (3 included) 434994-000
16 mm ² Phase terminal PN	HWA-WDM-PHASE-16 (6 included) 1244-006992	HWA-WDM-PHASE-16 (8 included) 1244-006992
16 mm ² Earth terminal PN	HWA-WDM-EARTH-16 (3 included) 1244-006993	HWA-WDM-EARTH-16 (4 included) 1244-006993
Terminal jumper for bridging 2 terminals PN	HWA-WDM-JUMPER-16-2 1244-006997	HWA-WDM-JUMPER-16-2 1244-006997
Terminal jumper for bridging 3 terminals PN	HWA-WDM-JUMPER-16-3 (2 included) 1244-006998	HWA-WDM-JUMPER-16-3 1244-006998
Terminal jumper for bridging 4 terminals PN	HWA-WDM-JUMPER-16-4 1244-006999	HWA-WDM-JUMPER-16-4 (2 included) 1244-006999
Endplate PN	HWA-WDM-PLATE 124-007004	HWA-WDM-PLATE 1244-007004

North America

Tel +1 800 545 6258
info@chemelex.com

Latin America

Tel +1 713 868 4800
info@chemelex.com

Europe, Middle East, Africa, India

Tel +32 16 213 511
Fax +32 16 213 604
info@chemelex.com

Asia Pacific

Tel +86 21 2412 1688
infoAPAC@chemelex.com



Raychem Tracer Pyrotenax Nuheat