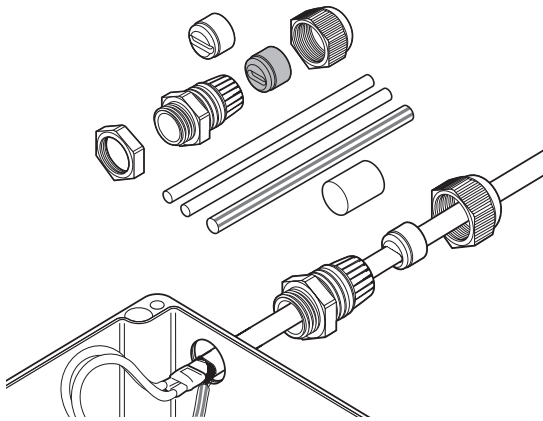


Heat-shrink connection kit **PRODUCT OVERVIEW**

This connection kit is designed for terminating all Raychem BTV, QTVR, XTV, KTV and VPL industrial parallel heating cables to a junction box, whilst maintaining electrical insulation of the heating cable conductors and core.

The sealing of the heating cable core is provided by Raychem heat-shrinkable sleeves. Two grommets supplied in this kit enable the gland to maintain optimum sealing under various ambient conditions.

An additional locknut is provided for unthreaded entries.

Application

Connection kit for BTV, QTVR, XTV, KTV and VPL parallel heating cables

Kit contents

- 1 gland
- 2 grommets
- 1 locknut
- 1 green/yellow tube, heat-shrinkable sleeves for core sealing
- 1 installation instruction (multilingual)

PRODUCT SPECIFICATION**Technical details**

Type	Heat-shrinkable
Thread size	M25 x 1.5
Min. ambient temperature	-55°C
Max. exposure temperature (gland)	110°C
IP ingress protection rating	IP66

APPROVALS

The kit is certified as part of the system approval of the various heating cables.

For use in ordinary and hazardous area Zone 1 and Zone 2 (Gas), Zone 21 and Zone 22 (Dust)

Temperature classification

Temperature classification is defined by the complete system.

Product certification



More details about product certification, approvals and conditions of safe use are available in the installation manual at www.chemelex.com.

ORDERING INFORMATION

Part description	Raychem C25-21
PN (Weight)	311147-000 (0.06 kg)

North America

Tel +1 800 545 6258
info@chemelex.com

Latin America

Tel +1 713 868 4800
info@chemelex.com

Europe, Middle East, Africa, India

Tel +32 16 213 511
Fax +32 16 213 604
info@chemelex.com

Asia Pacific

Tel +86 21 2412 1688
infoAPAC@chemelex.com

chemelex
excellence is everything

Raychem Tracer Pyrotenax Nuheat