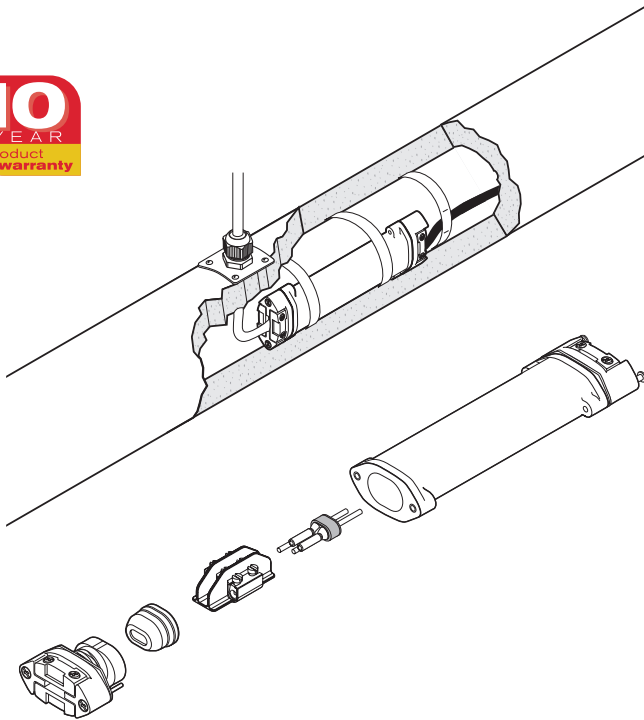


Cold applied low profile power connection 

PRODUCT OVERVIEW



The Raychem C-150-E is a cold applied low profile power connection. The kit enables in line connection of Raychem industrial heating cables, BTV, QTVR and XTVR, to a flexible power cable. It can be used in applications with temperature ratings from -55°C to 200°C . It is approved for use in hazardous areas.

A Raychem supplied power cable such as C-150-PC may be used or any suitable standard industrial power cable type $3 \times 1.5 \text{ mm}^2$ or $3 \times 2.5 \text{ mm}^2$ with stranded copper conductors and an outer insulation jacket. The power cable is connected by means of screw terminals to the conductors and the braid of the heating cable.

C-150-E is used as connector:

- where connection to a junction box is difficult e.g. because of space limitation
- on instrument lines or loading arms
- where installation of "under insulation" components is preferred
- as a cost effective solution for short heat-tracing lines as an alternative for JBS-100.

Application

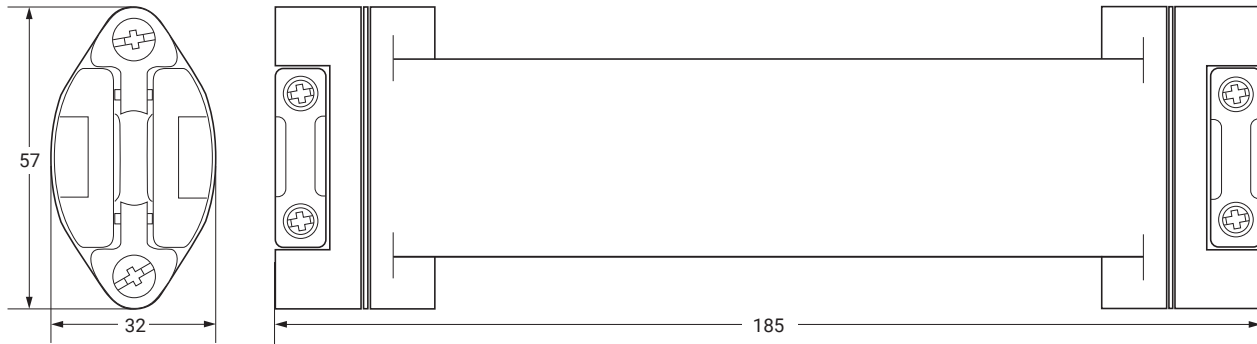
Cold applied low profile splice for connection of BTV, QTVR and XTVR heating cables to a power cable

Kit contents

- 1 splice housing assembly including
 - 1 sealing grommet assembly for heater
 - 1 pressure plate/strain relief assembly
- 1 core sealer for heater
- 1 spacer including screw terminal
- 1 sealing grommet assembly for the power cable
- 1 pressure plate/strain relief assembly for the power cable
- 1 identification label
- 1 installation instruction

PRODUCT SPECIFICATIONS

Dimensions (in mm)



Technical details

Heating cable capability	BTV-CR, BTV-CT, QTVR-CT, XTVR-CT
Power cable capability	For use with Raychem high temperature power cable C-150-PC or for use with other flexible cable such as: H07RN-F, Silicone insulated cables. Minimum and maximum installation and operating temperatures, given by cable manufacturer, have to be considered by designer and installer.
Power cable dimension	-> outer diameter range 6.8 mm - 12.6 mm -> 3 stranded copper conductors (3 x 2.5 mm ² or 3 x 1.5 mm ²) -> temperature range depending on the application
Maximum power cable length	Depending on power cable voltage drop and maximum current for Raychem power cable C-150-PC (3 x 2.5 mm ²): CB 16 A 40 m CB 20 A 32 m CB 25 A 25 m
Ingress protection	IP66
Minimum installation temperature	-55°C
Maximum pipe temperature	Refer to heating cable specification
Maximum operating voltage	277 Vac
Maximum current rating	Depending on power cable and 40 A maximum

Construction materials

Housing, end plate, shim and spacer	Engineering polymers, black
Sealing grommets	Silicone rubber
Screws, compression spring	Stainless steel

APPROVALS

For use in ordinary and hazardous area Zone 1 and Zone 2 (Gas), Zone 21 and Zone 22 (Dust) Class I Zone 1

Temperature classification

Temperature classification is defined by the complete system.

Product certification



For certifications in other regions (FM, CSA, IEx etc.), please refer to the installation manual.

More details about product certification, approvals and conditions of safe use are available in the installation manual at www.chemelex.com.

ORDERING INFORMATION

Part description	C-150-E
PN (Weight)	073704-000 (0.4 kg/0.8 lb)
Pack size	1 bag

Accessories

Power cable	C-150-PC 3-core flexible power cable for connection to C-150-E, 3 x 2.5 mm ² , silicone insulation, temperature range: -40°C to +180°C, short term: 215°C
-------------	---

North America

Tel +1 800 545 6258
info@chemelex.com

Latin America

Tel +1 713 868 4800
info@chemelex.com

Europe, Middle East, Africa, India

Tel +32 16 213 511
Fax +32 16 213 604
info@chemelex.com

Asia Pacific

Tel +86 21 2412 1688
infoAPAC@chemelex.com

chemelex
excellence is everything

Raychem Tracer Pyrotenax Nuheat