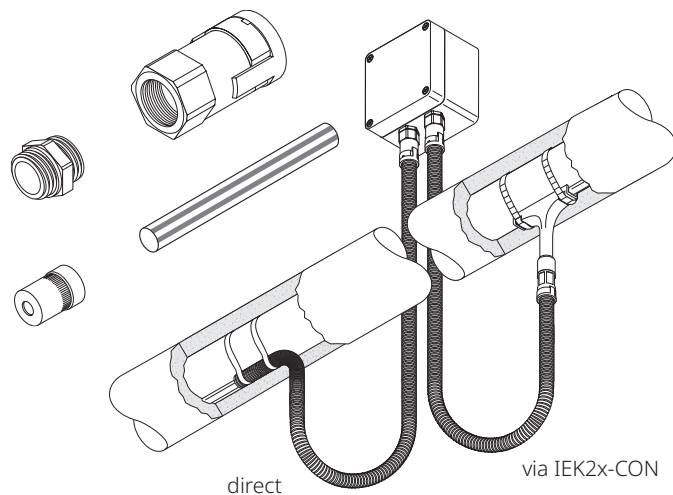


Cold applied conduit connection kit

PRODUCT OVERVIEW



This connection kit is designed for terminating the full range of Raychem XPI polymer insulated series heating cables and cold leads in to a junction box, as well as providing a reliable and sealed connection to a conduit system.

It is approved for use in hazardous locations. The conduit system will provide supplementary mechanical protection of the heating cable or cold lead between a junction box and the entry into the insulation. The conduit connection is fast and reliable and allows simple installation whilst maintaining at all time an IP66 seal.

The kit can be used with various types of conduits which can be cut-to-length as required in the field. The kit exists in three different versions, depending on the outer diameter of the heating cable or cold lead to protect. The conduit and possibly required insulation entry kit need to be purchased separately.

Application

Connection kit with conduit adaptors for 2 PI series heating cables or cold lead cables

Kit contents

- 2 metal gland bodies,
- 2 conduit adaptors including safety retention clip,
- 2 grommets,
- 2 green/yellow tubes for braid,
- 1 installation instruction (multilingual)

PRODUCT SPECIFICATIONS

Dimensions

	CCON20-100-PI-A	CCON20-100-PI-B	CCON20-100-PI-C
PI cable diameter range	4.0 – 6.5 mm	6.5 – 9.5 mm	9.5 – 13 mm

Technical details

Thread size	M20 x 1.5
Conduit compatibility	ND 17 mm, Raychem conduits type CCON20-C.....
Ambient temperature	-55°C to +40°C
IP ingress protection rating	IP66
Surface resistance	< 1 GΩ according to the requirements of EN 60079-0 and EN 61241-0 for use in hazardous areas

APPROVALS

For use in ordinary and hazardous area Zone 1 and Zone 2 (Gas), Zone 21 and Zone 22 (Dust)

Temperature classification

Temperature classification is defined by the complete system.

Product certification



More details about product certification, approvals and conditions of safe use are available in the installation manual at www.chemelex.com.

ORDERING INFORMATION

Part description	CCON20-100-PI-A	CCON20-100-PI-B	CCON20-100-PI-C
PN (Weight)	1244-003274 (0.1 kg)	1244-003276 (0.1 kg)	1244-003278 (0.1 kg)

Accessories

For suitable conduits and insulation entry kits refer to the datasheet for CCON2x-C...

North America

Tel +1 800 545 6258
info@chemelex.com

Latin America

Tel +1 713 868 4800
info@chemelex.com

Europe, Middle East, Africa, India

Tel +32 16 213 511
Fax +32 16 213 604
info@chemelex.com

Asia Pacific

Tel +86 21 2412 1688
infoAPAC@chemelex.com

chemelex
excellence is everything

Raychem Tracer Pyrotenax Nuheat