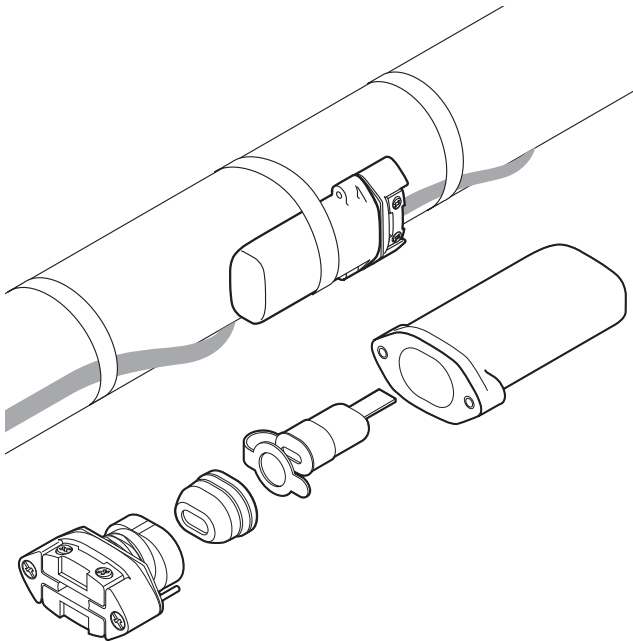


## Low profile end seal-cold applied

### PRODUCT OVERVIEW



The Raychem E-150 is a cold applied low profile end seal. This universal end seal is designed to fit with all Raychem industrial self-regulating heating cables; BTV, QTVR and XTVR meaning simplified product selection and reduced inventory to stock. It can be used in applications with temperatures ranging from  $-55^{\circ}\text{C}$  to  $+200^{\circ}\text{C}$ . It is approved for use in hazardous areas.

The unique design of the E-150 suits the demanding requirements of the industrial environment. The low profile housing can be installed on pipes and other surfaces. A spring loaded grommet makes a first seal to maintain a water tight connection while the non-curing sealant (silicone free) used in Raychem's core sealing boot adds a second seal, providing additional protection. The rugged construction of the end seal makes it resistant to impact and suitable for high temperature variations and aggressive chemical exposure. The end seal is re-enterable. The E-150 design provides a safe under the insulation end seal that can be relied upon over time.

The end seal requires no heat source for installation, making maintenance fast and easy. Each kit contains all the necessary materials to do one end termination.

### Description

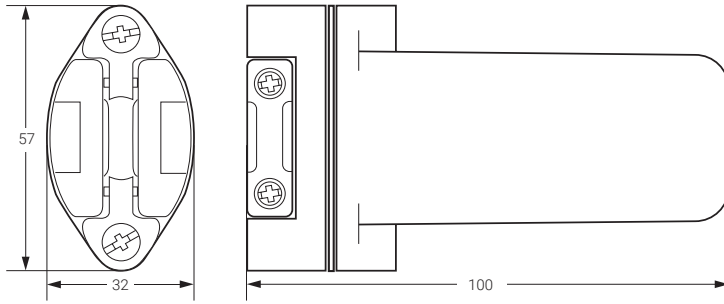
Cold applied end seal for use with BTV, QTVR and XTVR heating cables.

### Kit contents

- 1 end seal enclosure housing
- 1 sealing grommet assembly
- 1 core sealing boot
- 1 identification label
- 1 installation instruction

## PRODUCT SPECIFICATIONS

### Dimensions (in mm)



### Technical details

Heating cable capability	BTV-CR, BTV-CT, QTVR-CT, XTVR-CT
Ingress protection	IP66
Minimum installation temperature	-55°C
Maximum pipe temperature	150°C POWER ON and 200°C POWER OFF
Operating voltage	277 V

### Materials of construction

Enclosure, end plate, and shim	Engineering polymers, black
Sealing grommet and core sealer	Silicone rubber
Screws, compression spring, reinforcement plate	Stainless steel

### APPROVALS

For use in ordinary and hazardous area Zone 1 and Zone 2 (Gas), Zone 21 and Zone 22 (Dust)  
Class I Div 2, Class II Div 2, Class III

#### Temperature classification

Temperature classification is defined by the complete system.

#### Product certification



For certifications in other regions (FM, CSA, IEx etc.), please refer to the installation manual.

More details about product certification, approvals and conditions of safe use are available in the installation manual at [www.chemelex.com](http://www.chemelex.com).

### ORDERING INFORMATION

End seal	E-150
PN (Weight)	979099-000 (0.3 kg/0.6 lb.)

#### North America

Tel +1 800 545 6258  
info@chemelex.com

#### Latin America

Tel +1 713 868 4800  
info@chemelex.com

#### Europe, Middle East, Africa, India

Tel +32 16 213 511  
Fax +32 16 213 604  
info@chemelex.com

#### Asia Pacific

Tel +86 21 2412 1688  
infoAPAC@chemelex.com

**chemelex**  
excellence is everything

**Raychem Tracer Pyrotenax Nuheat**