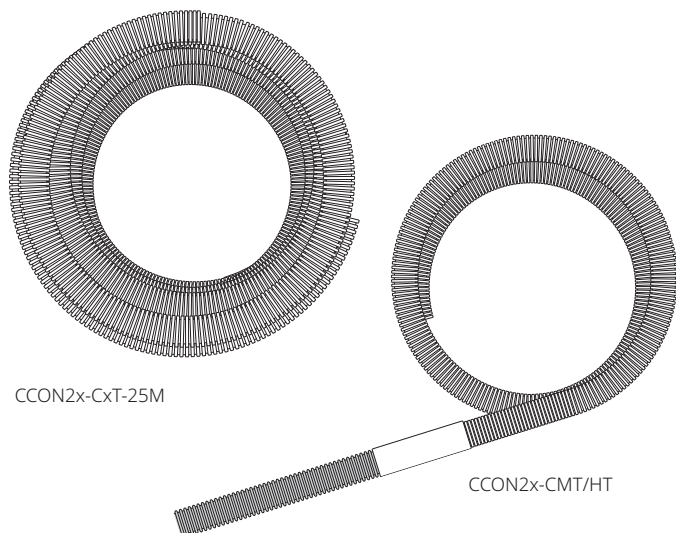


Conduit for protection of heating cables

PRODUCT OVERVIEW



These conduits have been designed for use in combination with the conduit connection kits Raychem CCON2x-100-... They provide supplementary mechanical protection of the heating cable or cold lead between a junction box and the entry into the insulation. The conduit materials have been selected to meet the requirements for use in hazardous locations.

The resistance of the conduits to fuels, mineral oils, fats, alkalies, acids and bases is excellent.

The conduits can be cut-to-length as required in the field and can either be entered in the insulation directly or by use of an insulation entry kit.

Application

Conduit for protection of heating cables

Kit content

	M20 CCON20-CHT-...	M25 CCON25-CHT-...
Pipe stands	2	1
Conduit connectors	2	1
Pipe straps	Pipe straps need to be ordered separately	Pipe straps need to be ordered separately

PRODUCT SPECIFICATIONS

Technical details

	M20 CCON20-CHT-...	M25 CCON25-CHT-...
Medium temperature conduit (150°C)		
Conduit size	ND 17 mm	ND 23 mm
Outer diameter (nominal)	21.2 mm	28.5 mm
Bending radius (static)	40 mm	45 mm
Weight (kg/100 m)	5.7	9.9
Material	Modified polyamide	
Temperature range (continuous)	-40°C to +135°C (compatible with surface temperature of all heating cables)	
Exposure temperature	150°C (3000 h intermittent, cumulative)	
Impact strength	Minimum 6 J @ -40°C (empty conduit), min. 7 J with all heating cables	
Flame class	HB as per UL 94	

	M20	M25
	CCON20-CHT-...	CCON25-CHT-...
High temperature conduit (260°C)		
Conduit size	ND 17 mm	ND 23 mm
Oute	21.1 mm	28.8 mm
Bending radius (static)	15 mm	26 mm
Weight (kg/100 m)	8.3	14.8
Material	PFA	
Temperature range	-200°C to +260°C	
Impact strength	Minimum 2.5 J (empty conduit), min. 7 J with all heating cables	
Flame class	V0 as per UL 94	

Combined medium and high temperature conduit

	Ideal for direct entry into cladding for high pipe temperatures.	1.67 m length of medium temperature conduit for connection to the junction box connected to 33 cm of high temperature conduit for connection to the hot surface.
--	--	--

APPROVALS

For use in ordinary and hazardous area Zone 1 / Zone 21 and Zone 2 / Zone 22 (Gas and Dust)

Temperature classification

Temperature classification is defined by the complete system

Product certification



More details about product certification, approvals and conditions of safe use are available in the installation manual at www.chemelex.com.

ORDERING INFORMATION

Conduit size	ND 17 mm	ND 23 mm
Pack of 2 m of medium temperature conduit	CCON20-CMT-2M (PN: 1244-003286/Weight: 0.12 kg)	CCON25-CMT-2M (PN: 1244-003281/Weight: 0.20 kg)
Pack of 25 m of medium temperature conduit	CCON20-CMT-25M (PN: 1244-003285/Weight: 1.44 kg)	CCON25-CMT-25M (PN: 1244-003280/Weight: 2.25 kg)
Pack of 2 m of high temperature conduit	CCON20-CHT-2M (PN: 1244-003289/Weight: 0.16 kg)	CCON25-CHT-2M (PN: 1244-003284/Weight: 0.28 kg)
Pack of 25 m of high temperature conduit	CCON20-CHT-25M (PN: 124-003288/Weight: 2.24 kg)	CCON25-CHT-25M (PN: 1244-003283/Weight: 3.90 kg)
1 pc of combination med./high temperature conduit (1.67 m medium temperature with 0.33 m high temperature)	CCON20-CMT/HT-1.67/0.33M (PN: 1244-003475/Weight: 0.135 kg)	CCON25-CMT/HT-1.67/0.33M (PN: 1244-003474/Weight: 0.24 kg)

Accessories

Insulation entry kit comprising of pipe stand with conduit connection system	IEK20-CON (PN: 1244-003291)	IEK25-CON (PN: 1244-003290)
--	--------------------------------	--------------------------------

North America

Tel +1 800 545 6258
info@chemelex.com

Latin America

Tel +1 713 868 4800
info@chemelex.com

Europe, Middle East, Africa, India

Tel +32 16 213 511
Fax +32 16 213 604
info@chemelex.com

Asia Pacific

Tel +86 21 2412 1688
infoAPAC@chemelex.com



Raychem Tracer Pyrotenax Nuheat