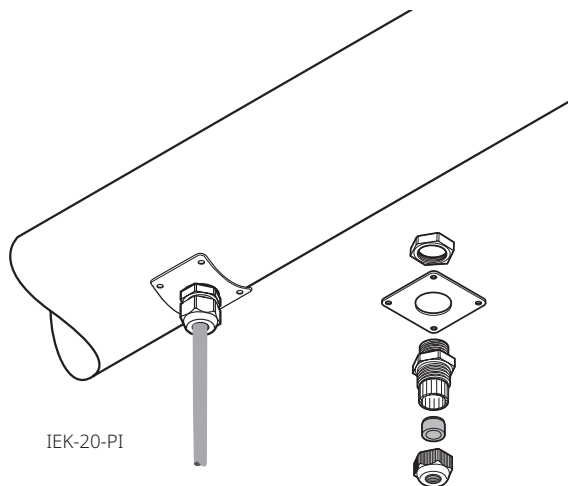


Insulation entry kit

PRODUCT OVERVIEW



Insulation entry kits are designed to protect cables when passing through the thermal insulation cladding.

The Raychem IEK-20-PI is suited for PI heating cables as well as for power cables.

Insulation entry kits may be used in hazardous and non hazardous areas.

The gland and the grommet included in the kit provide strain relief and environmental sealing to avoid water ingress in the insulation. They contain a stainless steel plate which can be screwed to the cladding. Insulation entry kits can be used for installations on pipes, tanks and vessels etc.

Application

Two-pack insulation entry kit for pipes, tanks and vessels. Usable for all types of PI cold leads as well as all other round cables with an outer diameter in the range of 5 to 13 mm. Kit contains 2 pc.

Kit contents

- 2 x stainless steel fixing plates
- 2 x plastic glands (M20) with round hole grommet for power- or cold lead cables
- 2 x locknuts

PRODUCT SPECIFICATIONS

Dimensions

Plate 60 x 60 mm (22 SWG)

Technical Details

Max. exposure temp. gland 80°C

APPROVALS

For use in ordinary area

Product certification



ORDERING INFORMATION

Part number (Weight) 1244-000689 (0.08 kg)

North America

Tel +1 800 545 6258
info@chemelex.com

Latin America

Tel +1 713 868 4800
info@chemelex.com

Europe, Middle East, Africa, India

Tel +32 16 213 511
Fax +32 16 213 604
info@chemelex.com

Asia Pacific

Tel +86 21 2412 1688
infoAPAC@chemelex.com



Raychem Tracer Pyrotenax Nuheat