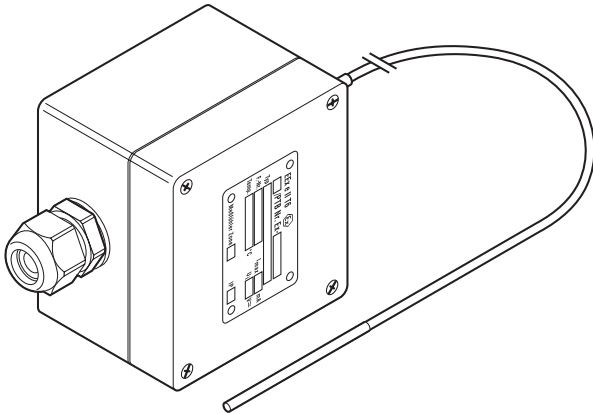


Temperature sensor for hazardous areas

PRODUCT OVERVIEW



3 wire Raychem Pt100 sensor connected to a black glass fiber reinforced polyester junction box with 4 front entry spring-type terminals.

Hazardous area cable gland, pre-installed (M20, black).

PRODUCT SPECIFICATIONS

Sensor

Type	Pt100 (3 wire) DIN IEC 751, Class B.
Material	Extension cable and tip both stainless steel (MI)
Temperature measuring range	-100°C to +500°C
Maximum exposure temp. tip	+585°C
Length	2 m
Diameter	ca 3 mm
Minimum bending radius	Extension cable: 20 mm, the measuring tip should not be bent

Enclosure

Material	Glass fiber reinforced polyester (black)
Ingress protection	IP66
Dimensions	Width = 80 mm Height = 75 mm Depth = 55 mm
Cable entry	M20 gland suitable for cable diameters ranging from 10 mm to 14 mm
Operating temperature	-50°C to +60°C
Sealing gasket material	Tongue and groove system with silicone seal
Cover screws	Stainless steel M4 threaded
Mounting	For pipe mount use JB-SB-26 wall mount surface mount via moulded holes at 68 x 45 mm

Installation and connection

Terminals	4 front entry spring-type terminals
Terminal sizing	Suitable for cables from 0.5 mm ² to 2.5 mm ²

APPROVALS

For use in hazardous area Zone 1/ Zone 2 (Gas) and Zone 21 / Zone 22 (Dust)

Temperature classification

T6

Product certification



More details about product certification, approvals and conditions of safe use are available in the installation manual at www.chemelex.com.

ORDERING INFORMATION

Part Description	Raychem MONI-PT100-EXE
PN (Weight)	967094-00 (0.44 kg)

North America

Tel +1 800 545 6258
info@chemelex.com

Latin America

Tel +1 713 868 4800
info@chemelex.com

Europe, Middle East, Africa, India

Tel +32 16 213 511
Fax +32 16 213 604
info@chemelex.com

Asia Pacific

Tel +86 21 2412 1688
infoAPAC@chemelex.com

chemelex
excellence is everything

Raychem Tracer Pyrotenax Nuheat