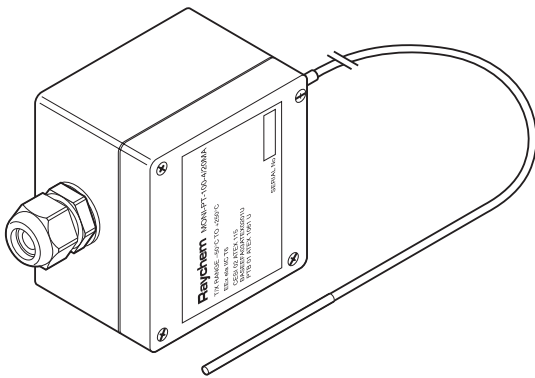


## 3 Wire Pt100 sensor with 4 to 20 mA transmitter for hazardous area

### PRODUCT OVERVIEW



Raychem Pt100 sensor connected to a 4-20 mA transmitter built in a black glass fiber reinforced polyester junction box with M20 cable gland (Blue).

### PRODUCT SPECIFICATIONS

#### Sensor

Type	Pt100 (3 wire) DIN IEC 751, Class B.
Material	Extension cable and tip both stainless steel (MI).
Temperature measuring range:	-50°C to +250°C (transmitter)
Maximum exposure temp. tip	+585°C
Length	2 m
Diameter	ca 3 mm
Minimum bending radius	Extension cable: 20 mm, the measuring tip should not be bent

#### Enclosure

Ingress protection	IP66
Material	Glass fiber reinforced polyester (black)
Dimensions	Width = 80 mm Height = 75 mm Depth = 55 mm
Cable gland	M20, blue (EEx e) suitable for cable diameters ranging from 10 mm to 14 mm
Operating temperature	-20°C to +55°C
Sealing gasket material	Tongue and groove system with silicone seal
Cover screws	Stainless steel M4 threaded
For pipe mounting use	JB-SB-26

#### Installation and connection

Terminals	2 screw terminals
Terminal sizing	Suitable for cables from 0.5 mm <sup>2</sup> to 1.5 mm <sup>2</sup>

## APPROVALS

---

For use in hazardous area Zone 1 (Gas)

### Temperature classification

T6...T4

### Product certification



More details about product certification, approvals and conditions of safe use are available in the installation manual at [www.chemelex.com](http://www.chemelex.com).

## ORDERING INFORMATION

---

Part Description	MONI-PT100-4/20MA
PN (Weight)	704058-000 (0.46 kg)

### North America

Tel +1 800 545 6258  
info@chemelex.com

### Latin America

Tel +1 713 868 4800  
info@chemelex.com

### Europe, Middle East, Africa, India

Tel +32 16 213 511  
Fax +32 16 213 604  
info@chemelex.com

### Asia Pacific

Tel +86 21 2412 1688  
infoAPAC@chemelex.com

---

**chemelex**  
excellence is everything

**Raychem Tracer Pyrotenax Nuheat**