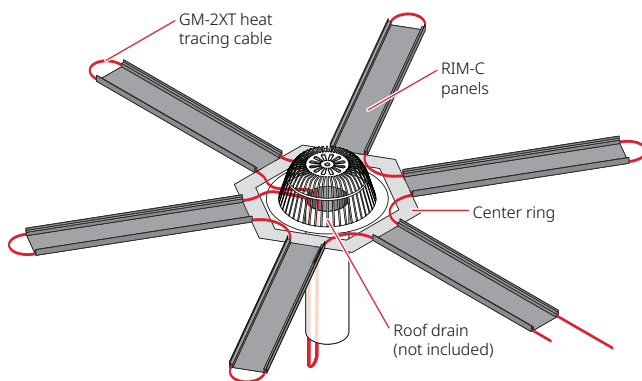


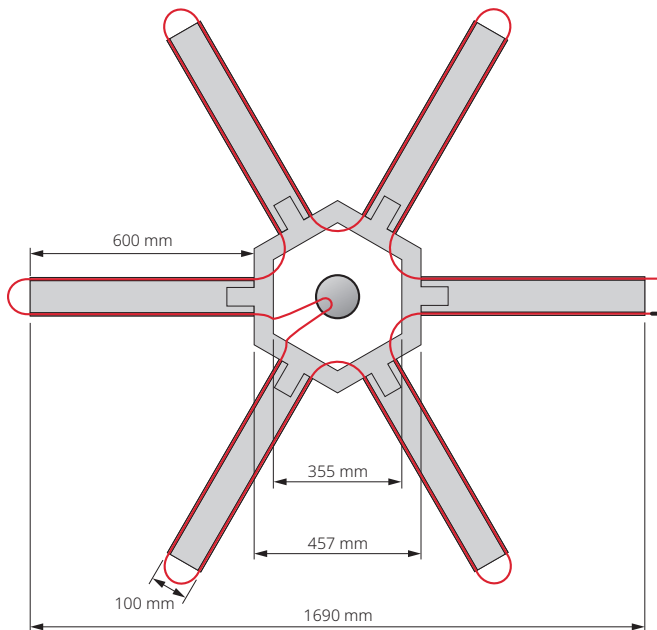
RIM-DrainTrace-KIT

GENERAL INFORMATION

RIM DrainTrace (RIM-DT-KIT)



Dimensions (nominal)



Raychem RIM-DRAINTRACE-KIT (RIM-DT-KIT) system is a turnkey roof ice melt unit for roof drains. It consists of a central aluminum ring which could go around up to 355 mm diameter roof drain. The ring consists of six tabs that can be inserted into the RIM-C channel panels, each 600 mm long. 16 m of a pre-terminated Raychem GM-2XT heating cable is provided for routing to and from the channel panels and the drain. A cold lead of 8 m is pre-terminated to the heating cable including an end seal.

Reliable System:

RM-DT-KIT efficiently transfers the heat to the snow and keeps the area around the roof drains snow free. The RIM-C channel panels mechanically protect the heat tracing cable and create melt channels for the snow melt to flow into the drain.

Lower Total Installed Cost:

RIM-DT parts snap into each other eliminating the need for any field riveting, roof penetrations, or complex cable layouts—thus, reducing the field installation time.

The pre-terminated of heating cable makes the installation quick and simple.



SPECIFICATION

System	Fully snap-fit system with no need for rivets/ screws/ nails/ adhesive in the field and with minimal number of assembly steps required in the field
Material Selection	Kynar® painted aluminum
Color Selection	Matte Black
Contents	Aluminum center ring with tabs, RIM-C channel panels, GM-2XT heat tracing cable, 16 m, pre-terminated cold lead 8 m length, 3 x 1,5 mm ²
Heat Trace Cable Supplied	GM-2XT for 230 VAC applications
Wymiary	Inner size of center ring: 355 mm Channel panel length: 600 mm
Dimensions	1244-022477

Europe, Middle East, Africa, India

Tel +32 16 213 511

Fax +32 16 213 604

info@chemelex.com

chemelex
excellence is everything

Raychem Tracer Pyrotenax Nuheat