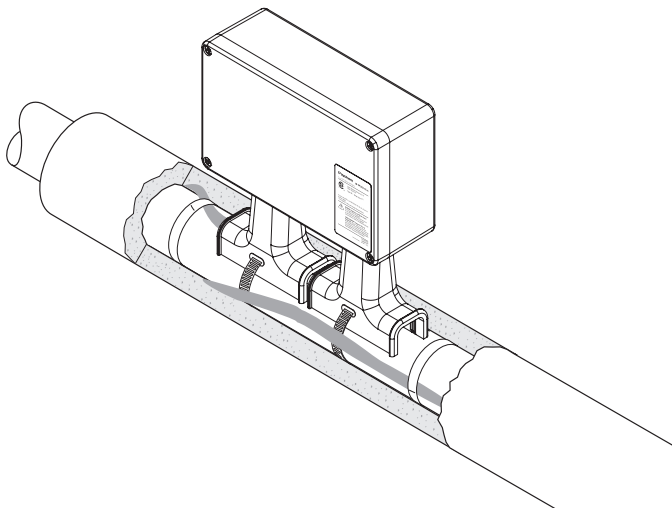


Integrated junction box for direct connection of xpi heaters

PRODUCT OVERVIEW

JB-SPLICE-PI-E



The Raychem JB-SPLICE-PI-E kit is designed to splice Raychem XPI industrial series heating cables directly without the use of cold leads and with certain power and current restrictions.

The system is approved for hazardous areas and integrates the function of connection kits, cold leads and insulation entry kits. This simplifies the Bill of Materials and actual installation by eliminating the need for special tools or craft sensitive connections.

The XPI heating cables are directly connected into spring-type terminals to provide a fast, reliable and maintenance free operation. This connection system significantly reduces installation time.

The design validation depends on cable type, power and temperature and is captured in our design software packages such as TraceCalc Pro.

Application

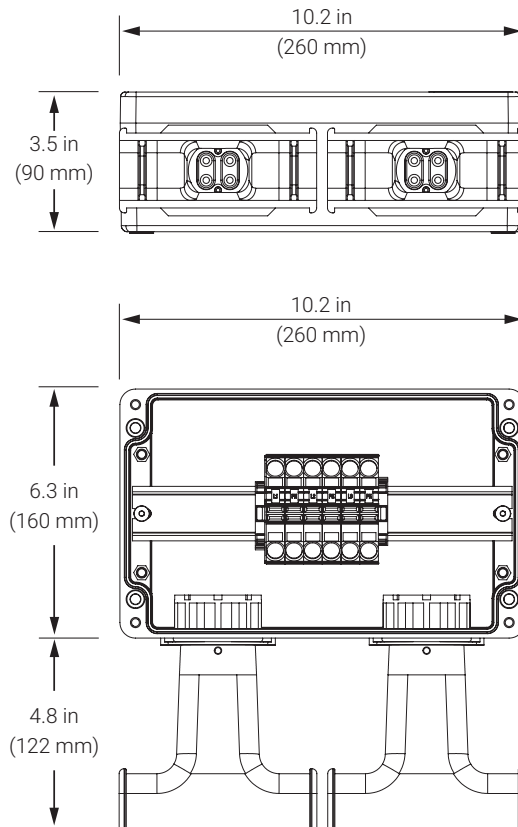
This kit is for use in regions adhering to the IEC standards and allows the splicing of both monophase or triphase circuits with Raychem XPI series cables of type XPI-(S-)1000 up to XPI-(S-)1.8 without the use of cold leads.

Kit contents

- 1 junction box with spring-type terminals
- 2 stand assemblies
- 6 green/yellow earthing sleeves
- 4 sealing pins
- 4 grommets (2 premounted for small cables, 2 for large cables)
- 1 stand wrench
- 2 strain relief assemblies
- 1 polywater sachet

PRODUCT SPECIFICATIONS

Dimensions (Nominal)



Technical details

Heating cables	XPI-1000 up to XPI-1.8 XPI-S-1000 up to XPI-S-1.8 (XPI-F not allowed)
Ingress protection	IP66
Ambient temperature range	-55°C up to +56°C
Minimum installation temperature	-55°C
Max continuous pipe temperature	160°C*
Terminals	16 mm ² Spring-type terminals (terminal configuration & types cannot be altered w/o consulting Chemelex)
Max conductor size	16 mm ² stranded and solid
Max operating voltage	550 Vac
Max continuous operating current	45 A*
Max start-up current	70 A*

* Different current and power restrictions apply for different ambient temperatures, pipe temperatures and cable types. Use Chemelex design software packages to validate the usage for your application.

Materials of construction and weight

Enclosure, lid and stand	Electrostratic charge resistant glass-filled engineered polymer (Black)
Lid screws	Stainless steel (captive screws)
Lid gasket	Silicone rubber
Weight	2.7 kg

APPROVALS

For use in ordinary and hazardous area Zone 1 and Zone 2 (Gas), Zone 21 and Zone 22 (Dust).

Temperature classification

Temperature classification is defined by the complete system.

Product certification



More details about product certification, approvals and conditions of safe use are available in the installation manual at www.chemelex.com.

ORDERING DETAILS

Part description	JB-SPLICE-PI-E
PN	P000004430

Accessories

Small pipe adaptor	JBM-SPA, required for pipes ≤ 1 " (DN 25) (bag of 5 adaptors). Requires 2 pieces per junction box
--------------------	---

North America

Tel +1 800 545 6258
info@chemelex.com

Latin America

Tel +1 713 868 4800
info@chemelex.com

Europe, Middle East, Africa, India

Tel +32 16 213 511
Fax +32 16 213 604
info@chemelex.com

Asia Pacific

Tel +86 21 2412 1688
infoAPAC@chemelex.com

chemelex
excellence is everything

Raychem Tracer Pyrotenax Nuheat