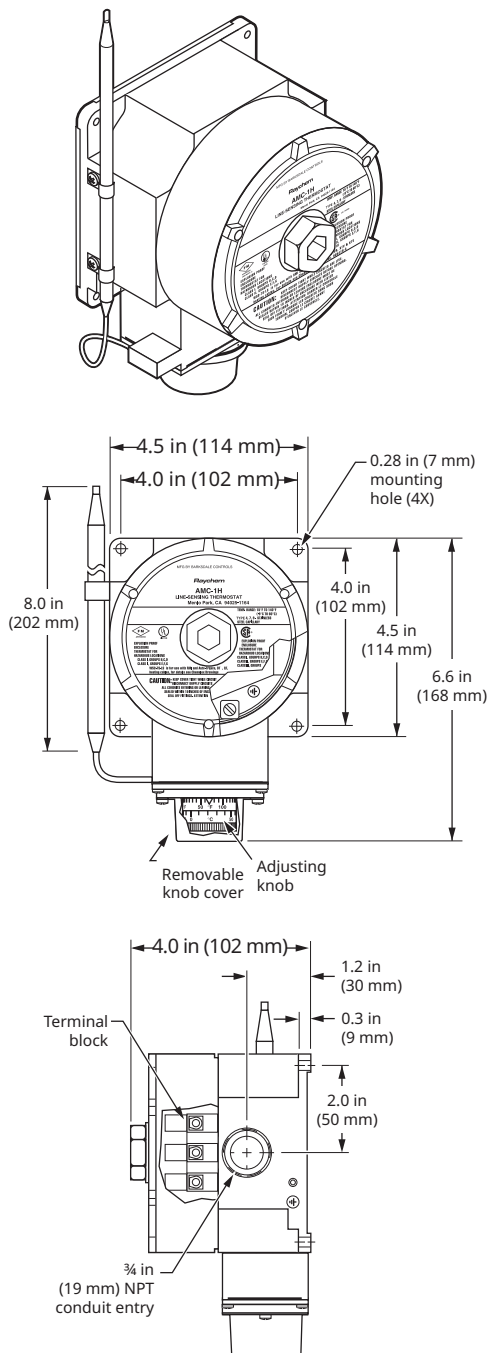


Ambient-sensing thermostat for hazardous locations

PRODUCT OVERVIEW



The Raychem AMC-1H ambient-sensing thermostat is designed to control heat-tracing systems used for freeze protection in hazardous locations. The thermostat responds to ambient temperature changes and has an adjustable set point. The AMC-1H can be used to control a single heat-tracing circuit or as a pilot control of a contactor switching multiple heat-tracing circuits.

SPECIFICATIONS

Enclosure	TYPE 4, 7, 9 lacquer-coated cast-aluminum housing, stainless steel hardware
Entries	One ¾ in (19 mm) NPT conduit hub
Set point range	15°F to 140°F (-9°C to 60°C)
Sensor exposure limits	-40°F to 160°F (-40°C to 71°C)
Housing exposure limits	-40°F to 140°F (-40°C to 60°C)
Switch	SPDT
Electrical rating	22 A at 125 / 250 / 480 Vac
Accuracy	±6°F (±3.3°C)
Deadband	2°F to 12°F (1.1°C to 6.7°C) above actuation temperature
Setpoint repeatability	±3°F (±1.7°C)
Sensor type	Fixed fluid-filled (silicone) bulb and capillary
Sensor material	300 series stainless steel
Connection	Screw terminals, 10-14 AWG (2-5 mm ²) terminals

APPROVALS

Hazardous Locations



Class I, Div. 1 and 2, Groups B, C, D
Class II, Div. 1 and 2, Groups E, F, G
Class III

North America

Tel +1 800 545 6258
info@chemelex.com

Latin America

Tel +1 713 868 4800
info@chemelex.com

Europe, Middle East, Africa, India

Tel +32 16 213 511
Fax +32 16 213 604
info@chemelex.com

Asia Pacific

Tel +86 21 2412 1688
infoAPAC@chemelex.com



Raychem Tracer Pyrotenax Nuheat