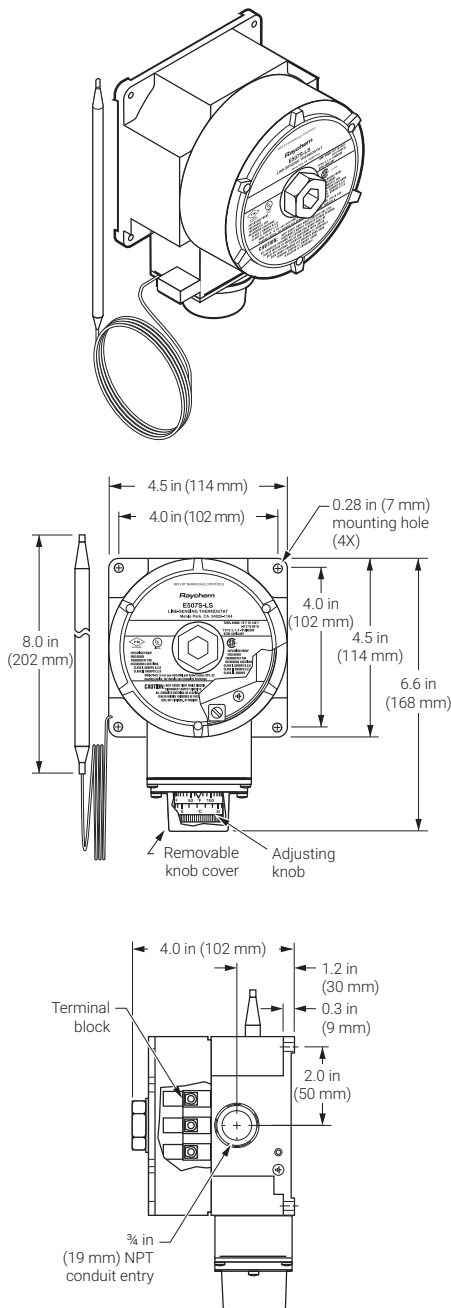


## Line-sensing Thermostat for Hazardous Locations

### PRODUCT OVERVIEW



The Raychem E507S-LS thermostat is designed for controlling heat-tracing systems in hazardous locations. The E507S-LS senses pipe or tank wall temperatures and can be used to control a single heat-tracing circuit or as a pilot control of a contactor switching multiple heat-tracing circuits. It can also be used to indicate low-temperature or high-temperature alarm conditions.

### SPECIFICATIONS

Enclosure	TYPE 4, 7, 9, lacquer-coated cast-aluminum housing, stainless steel hardware
Entries	One 3/4 in (19 mm) NPT conduit hub
Set point range	25°F to 325°F (-4°C to 163°C)
Sensor exposure limits	-40°F to 420°F (-40°C to 215°C)
Housing exposure limits	-40°F to 140°F (-40°C to 60°C)
Switch	SPDT
Electrical rating	22 A at 125 / 250 / 480 Vac
Accuracy	±6°F (±3.3°C)
Deadband	2°F to 12°F (1.1°C to 6.7°C) above actuation temperature
Setpoint repeatability	±3°F (±1.7°C)
Sensor type	Fluid-filled (silicone) bulb and 9 ft (2.7 m) capillary
Sensor material	300 series stainless steel
Connection terminals	Screw terminals, 10-14 AWG (2-5 mm <sup>2</sup> )

### APPROVALS

#### Hazardous locations



Class I, Div. 1 and 2, Groups B, C, D  
 Class II, Div. 1 and 2, Groups E, F, G  
 Class III

**NORTH AMERICA**

Tel +1 800 545 6258  
info@chemelex.com

**LATIN AMERICA**

Tel +1 713 868 4800  
info@chemelex.com

**EUROPE, MIDDLE EAST, AFRICA, INDIA**

Tel +32 16 213 511  
Fax +32 16 213 604  
info@chemelex.com

**ASIA PACIFIC**

Tel +86 21 2412 1688  
infoAPAC@chemelex.com



**Raychem Tracer Pyrotenax Nuheat**