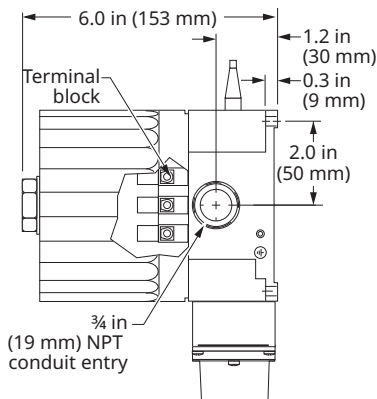
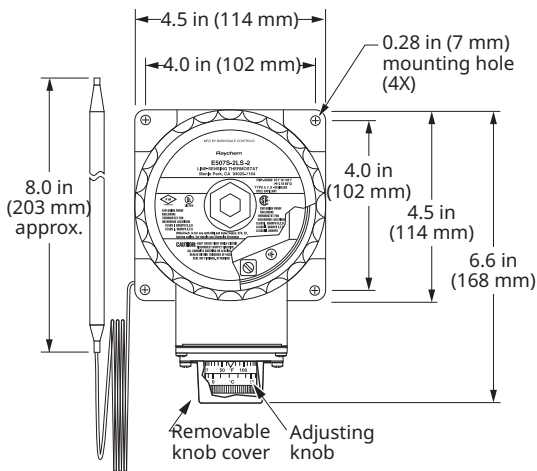
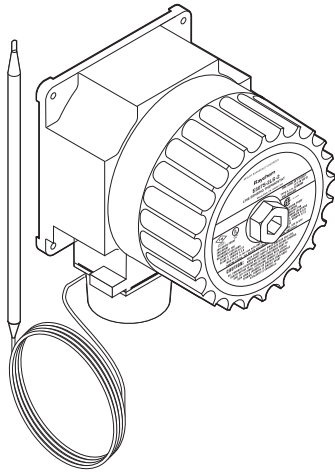


Double-pole line-sensing thermostat for hazardous locations

PRODUCT OVERVIEW



The Raychem E507S-2LS-2 thermostat is designed to control heat-tracing systems in hazardous locations. The thermostat functions as a double-pole single-throw (DPST) switch, opening and closing the electrical connection to both heating cable bus wires.

The E507S-2LS-2 senses pipe or tank wall temperatures and is used to control one heat-tracing circuit directly.

SPECIFICATIONS

Enclosure	TYPE 4, 7, 9, lacquer-coated cast-aluminum housing, stainless steel hardware
Entries	One 3/4 in NPT conduit hub
Set point range	25°F to 325°F (-4°C to 163°C)
Sensor exposure limits	-40°F to 420°F (-40°C to 215°C)
Housing exposure limits	-40°F to 140°F (-40°C to 60°C)
Switch	DPST
Electrical rating	22 A at 208 / 240 Vac
Relay coil	208-240 Vac, 4 VA
Accuracy	±6°F (±3.3°C)
Deadband	2°F to 12°F (1.1°C to 6.7°C) above actuation temperature
Set point repeatability	±3°F (±1.7°C)
Sensor type	Fluid-filled (silicone) bulb and 9 ft (2.7 m) capillary
Sensor material	300 series stainless steel
Connection terminals	Screw terminals, 10-14 AWG (2-5 mm ²)

APPROVALS

Hazardous locations



Class I, Div. 1 and 2, Groups B, C, D
Class II, Div. 1 and 2, Groups E, F, G
Class III

North America

Tel +1 800 545 6258
info@chemelex.com

Latin America

Tel +1 713 868 4800
info@chemelex.com

Europe, Middle East, Africa, India

Tel +32 16 213 511
Fax +32 16 213 604
info@chemelex.com

Asia Pacific

Tel +86 21 2412 1688
infoAPAC@chemelex.com



Raychem Tracer Pyrotenax Nuheat