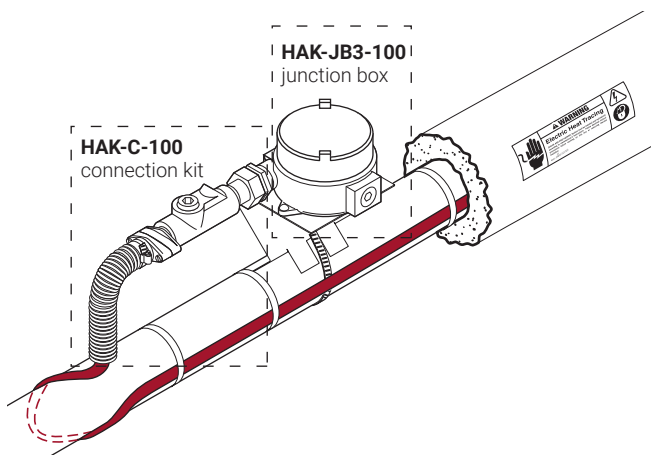


## Connection kit and junction box for CID1 hazardous locations

### PRODUCT OVERVIEW



The Raychem HAK-C-100 connection system is approved for use with Raychem BTV-CT, QTVR-CT, XTVR-CT, VPL-CT, LBTV2-CT and FHP heating cables in Class I, Division 1 hazardous locations.

The HAK-C-100 is a cold-applied connection kit that contains all of the materials required for sealing one heating cable entry into a junction box.

The HAK-JB3-100 is an explosion-proof, corrosion-resistant junction box that serves as a power connection, splice, tee, or end termination.

Each kit contains all the necessary materials for a complete installation except for the pipe straps and a UMB mounting bracket, which must be ordered separately.









### KIT DESCRIPTION

HAK-C-100	HAK-JB3-100
<ul style="list-style-type: none"> <li>1 HAK subassembly: sealing fitting, nipple, and plugs</li> <li>1 union</li> <li>1 packing fiber</li> <li>1 sealing compound</li> <li>1 tubing clamp</li> <li>1 compression gland with screws</li> <li>1 compression gland with threaded inserts</li> <li>5 grommets (B,C,E,K,R)</li> <li>1 flex tube</li> <li>1 terminal block (maximum: 6 AWG wire)</li> <li>2 black heat-shrinkable tubes</li> <li>1 clear yellow heat-shrinkable tube</li> <li>1 green/yellow tube</li> <li>1 CS-100 core sealer</li> </ul>	<ul style="list-style-type: none"> <li>1 coated aluminum housing</li> <li>3 ¾-in (19 mm) NPT entries</li> <li>2 plugs</li> <li>1 grounding bar kit</li> </ul>

**Note:** Connection kit, junction box, mounting bracket, and pipe strap sold separately

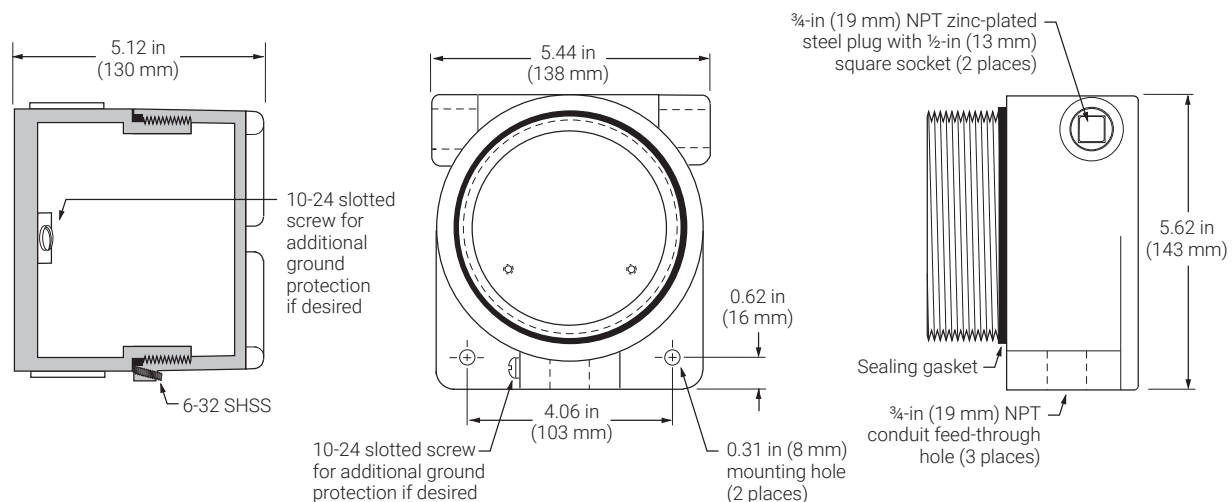
## APPROVALS

HAK-C-100	HAK-JB3-100
<p><b>Hazardous Locations</b></p> <p><sup>(1)</sup></p> <p> Class I, Div. 1, Groups B, C, D Class II, Div. 1, Groups E, F, G Class III</p> <p></p> <p><sup>(3)</sup></p> <p> CL I Div. 1 GRP B C D CL I ZN 1 GRP IIC ZN1* CL II/III Div. 1 GRP EFG ZN 21 IIC ZN21*</p> <p> Class I, Div. 1 Group B, C, D Class II, Div. 1, Group E, F, G Class III</p>	<p> Class I Div. 1 Group B, C, D Class II/ III Div.1 Group E, F, G</p> <p> Class I Group B, C, D Class II Group E, F, G Class III</p>
<p><sup>(1)</sup> For FHP-2 only <sup>(2)</sup> For LBTV2-CT only <sup>(3)</sup> For HTV-CT only (*Per CE Code Table 18)</p>	

## ORDERING DETAILS

Catalog number	HAK-C-100	HAK-JB3-100
Part number	014385-000	325925-000
Weight	3.0 lb (1.36 kg)	3.1 lb (1.4 kg)

## HAK-JB3-100 JUNCTION BOX DIMENSIONS



## MATERIALS REQUIRED PER CONNECTION TYPE

	Number of HAK-C-100 kits required	Number of holes used on the junction box	Universal mounting bracket (UMB)	Pipe strap
Power	1	2	1	1
Splice	2	2	1	1
Tee	3	3	1	1
End seal	1	1	1	1

## MATERIALS OF CONSTRUCTION

Junction box	Copper-free aluminum with corrosion-resistant polyester powder coating
--------------	--

**North America**

Tel +1.800.545.6258  
info@chemelex.com

**Latin America**

Tel +1.713.868.4800  
info@chemelex.com

**Europe, Middle East, Africa**

Tel +32.16.213.511  
info@chemelex.com  
Fax +32.16.213.604

**Asia Pacific**

Tel +86.21.2412.1688  
infoAPAC@chemelex.com



**Raychem Tracer Pyrotenax Nuheat**