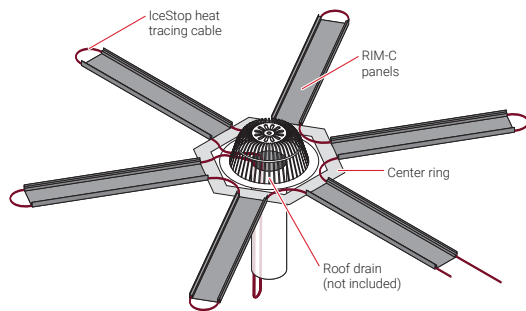


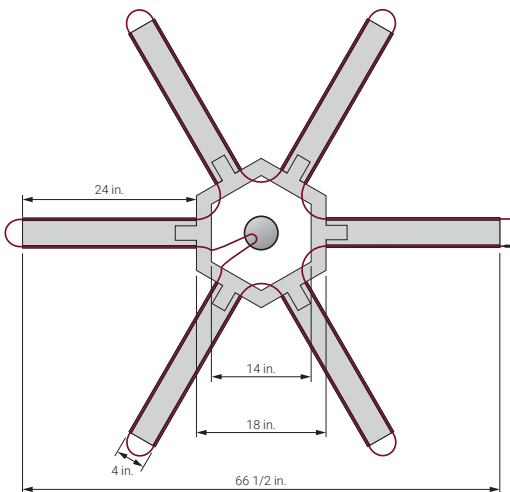
RIM-DrainTrace

GENERAL INFORMATION

RIM DrainTrace (RIM-DT)



Dimensions (nominal)



The Raychem RIM-DrainTrace (RIM-DT) system is a turnkey ice melt unit for roof drains. Included with the RIM-DT are: 1) One central aluminum ring (compatible with roof drains up to 14 inches in diameter); 2) Six each two foot long Raychem RIM-C channel panels; 3) Fifty feet of Raychem IceStop Heating Cable; 4) One Raychem WPCK-R Power Connection Kit (including end termination). The aluminum ring consists of six tabs that are inserted into the RIM-C channel panels. The fifty feet of IceStop heating cable is sufficient to trace the channel panels, with an additional 10 feet of cable to transition to the power supply.

Reliable System:

The RIM-DT system efficiently transfers heat, keeping the area around the roof drain free of snow. The RIM-C channel panels mechanically protect the heat trace cable and create channels for the snow melt to flow into the roof drain.

Lower Total Installed Cost:

The RIM-DT system parts snap into each another eliminating the need for any field riveting, roof penetrations, or complex cable layouts-thus, reducing the field installation time. The IceStop heating cable's parallel circuitry allows it to be cut to the exact length required in the field thereby eliminating pre-engineering. The flexibility of the heating cable makes the installation quick and simple.



SPECIFICATION

System	Fully snap-fit system with no need for rivets, screws, nails, or adhesives and with minimal number of assembly steps required in the field
Material Selection	Kynar® painted aluminum
Color Selection	Matte Black
Contents	Aluminum center ring with tabs, RIM-C channel panels, IceStop heat tracing cable, WPCK-R
Heat Trace Cable Supplied	GM-1X for 120 V applications GM-2X for 208-277 V applications
Dimensions	Inner size of center ring: 14 inches Channel panel length: 24 inches

North America

Tel +1 800 545 6258

info@chemelex.com



Raychem Tracer Pyrotenax Nuheat