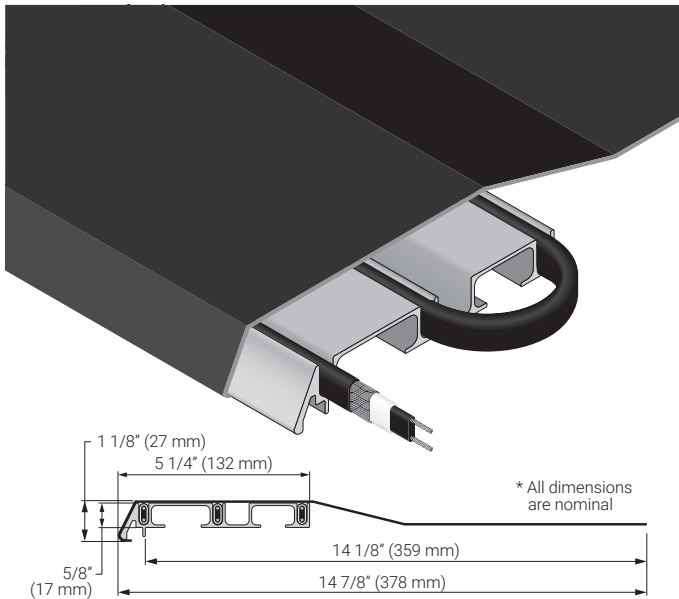


Eave panel system for concealed roof & gutter de-icing

PRODUCT OVERVIEW



Raychem Roof Ice Melt (RIM) systems are designed to eliminate icicles and ice dam problems in wide range of applications.

The Raychem RIM Eave (RIM-E) system is used for snow melt on roof eaves. The system consists of high wattage Raychem IceStop electric heating cable, Aluminum extrusion designed to fit the cable and a cover panel for efficient heat transfer. The RIM-E system uses three linear runs of cable with power output necessary for heavy snow load areas.

RIM systems provide:

- Long term roof deicing solution by mechanically protecting the heating cable
- Aesthetically pleasing solution by concealing the heating cable and complete snow melt along the roof eave
- High performance and reliable solution for heavy snow load areas



CATALOG NUMBER

RIM-E, Eave System	Copper
RIM-E, Eave System	Aluminum

CONTENTS

RIM-E	Extrusion (1 ft per foot of RIM-E) Cover Panel (1 ft per foot of RIM-E) IceStop Heating Cable (3 ft per foot of RIM-E)
-------	--

MATERIALS OF CONSTRUCTION

Extrusion	Aluminum
Cover Panel	Aluminum Copper Custom
Note: Refer to the RIM color guide (H59379) for a complete list of options.	

ADDITIONAL MATERIALS (AS REQUIRED)

Power Connection kits (WPCK-R)	Contains a heat shrink power connection and end seal designed for RIM systems
Splice/Tee Connection kits (FTC-HST-PLUS)	Heat shrink splice or tee kit designed for RIM systems
Eave Splice Covers (RIM-EPSC)	Used to cover the RIM-E Cover panel joints
Eave Panel End Brackets (RIM-EPEB)	Used to protect the heating cable at the ends of eave panels
Note: Only approved connection kits and accessories must be used with RIM Systems. Refer to the RIM design guide (H59561) for proper selection.	
End Seal kits	Heat shrink end seal kit designed for RIM systems

PRODUCT SPECIFICATIONS (NOMINAL)

Power Output	36 W/ft of RIM-E (118 W/m of RIM-E) in snow or ice
Minimum Installation Temperature	0°F (-18°C)
Overall Cover Dimensions	Width: 14 7/8 in (378 mm) Thickness: 1 1/8 in (29 mm)
Overall Extrusion Dimensions	Width: 4 3/4 in (120 mm) Thickness: 5/8 in (16 mm)
Weight	2835 lb/1000 ft (4219 kg/km)

HEATING CABLE SPECIFICATIONS (NOMINAL)

Voltage	IceStop GM-1X: 120 Vac IceStop GM-2X: 208-277 Vac
Minimum Bend Radius	5/8 in (16 mm)

MAXIMUM CIRCUIT LENGTH IN FEET (METERS)

	Start-up temperature	Circuit breaker size			
		15 A	20 A	30 A	40 A
GM-1X at 120 volts	32°F (0°C)	100 (30)	135 (41)	200 (61)	—
	20°F (-7°C)	95 (29)	125 (38)	185 (56)	200 (61)
	0°F (-18°C)	80 (24)	100 (30)	155 (47)	200 (61)
GM-2X at 208 volts	32°F (0°C)	190 (58)	250 (76)	380 (116)	—
	20°F (-7°C)	180 (55)	235 (72)	355 (108)	380 (116)
	0°F (-18°C)	145 (44)	195 (59)	290 (88)	380 (116)
GM-2X at 240 volts	32°F (0°C)	200 (61)	265 (81)	400 (122)	—
	20°F (-7°C)	190 (58)	250 (76)	370 (113)	400 (122)
	0°F (-18°C)	155 (47)	205 (62)	305 (93)	400 (122)
GM-2X at 277 volts	32°F (0°C)	215 (66)	290 (88)	415 (126)	—
	20°F (-7°C)	200 (61)	265 (81)	400 (122)	415 (126)
	0°F (-18°C)	165 (50)	225 (69)	330 (101)	415 (126)

APPROVALS

The IceStop heating cables are UL Listed and CSA Certified only when used with the appropriate agency-approved Raychem connection kits and accessories. For approvals information, refer to the IceStop heating cable data sheet (H56428).

GROUND-FAULT PROTECTION

To minimize the danger of fire from sustained electrical arcing if the heating cable is damaged or improperly installed, and to comply with the requirements of Chemelex, agency certifications, and national electrical codes, ground-fault equipment protection must be used on each heating cable branch circuit. Arcing may not be stopped by conventional circuit protection. Many Raychem control and monitoring systems meet the ground-fault protection requirement.

North America

Tel +1 800 545 6258
info@chemelex.com



Raychem Tracer Pyrotenax Nuheat