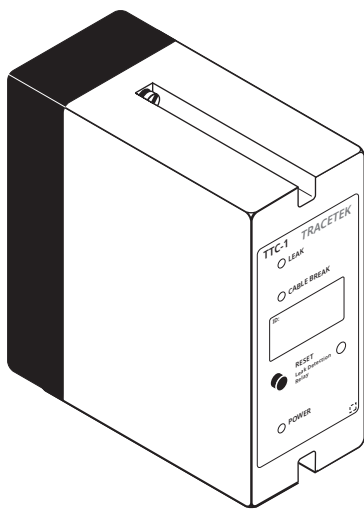


Sensing Module with Relay Contacts

PRODUCT OVERVIEW



The Raychem TraceTek TTC-1 module offers a low cost option for liquid leak detection. It is designed for use with any Raychem TraceTek sensing cable, and can be integrated into a variety of monitoring systems. The TTC-1 module includes three sets of relay contacts which can be used for remote annunciation and equipment control. An optional remote annunciation device is available.

EASY SETUP

All field wiring connections are easily made to a terminal strip molded into the base of the module. The module can be configured to reset automatically when a leak clears, or to require a manual reset using the button provided. The TTC-1 module includes adjustments for sensitivity to leaks, and for the time delay before the leak alarm relay trips. These adjustments can be made in the field.

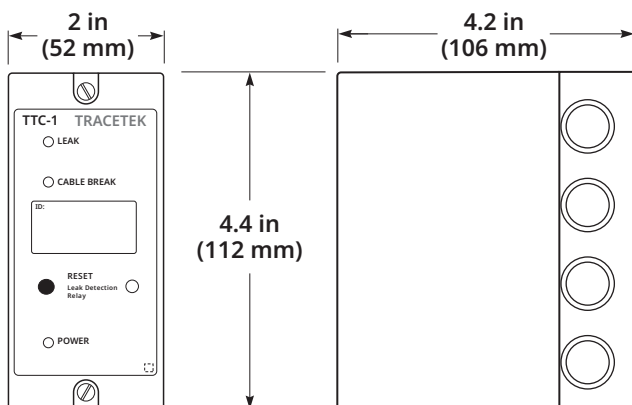
VERSATILE DESIGN

The TTC-1 module provides separate relays for leak alarms and trouble alarms. The Leak relay has two sets of contacts so it can be used both to annunciate the alarm and to provide direct control linkage to local devices. However, the system is not designed for constant switching applications. The Cable Break alarm monitors the integrity of the sensing cable and jumper cable, and will trip if continuity is lost. This trouble relay is normally energized, so it will also signal if there is a loss of power.

The TTC-1 module may be installed in nonhazardous indoor locations. Its small size allows for mounting in or on walls, or on DIN 1 rail systems.

APPLICATIONS

The TTC-1 is ideally suited to be easily integrated into centralized monitoring systems for large facilities. Typical applications include monitoring for leaks from individual pieces of equipment such as air-handling units, water-cooled machinery, single tanks, pumps, sumps, or other locations where a single length of Raychem TraceTek sensing cable is used.



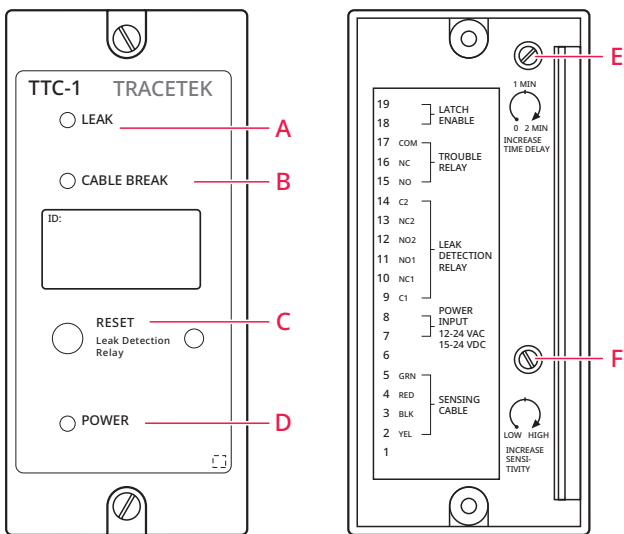
TECHNICAL INFORMATION

Sensing cable compatibility	All Raychem TraceTek sensing cables and probes
Maximum length of sensing cable (per channel)	250 ft (76 m)
Temperature rating	32°F to 122°F (0°C to 50°C)
Plastic enclosure	NEMA 1, IP 20
Weight	0.77 lb (0.35 kg)
Power supply requirement (transformer not included)	12 Vac to 24 Vac; 50/60 Hz 0.25 A 15 Vdc to 24 Vdc 0.15 A
Terminal block wiring	14 AWG (maximum 2.5 mm ²)
Raychem TraceTek jumper cable wiring	18 AWG (1 mm ²)
Relays	Leak: 1 DPDT, Form C 3 A rating at 30 Vdc or 24 Vac Trouble: 1 SPDT, Form C 3 A rating at 30 Vdc or 24 Vac Normally energized

ORDERING INFORMATION

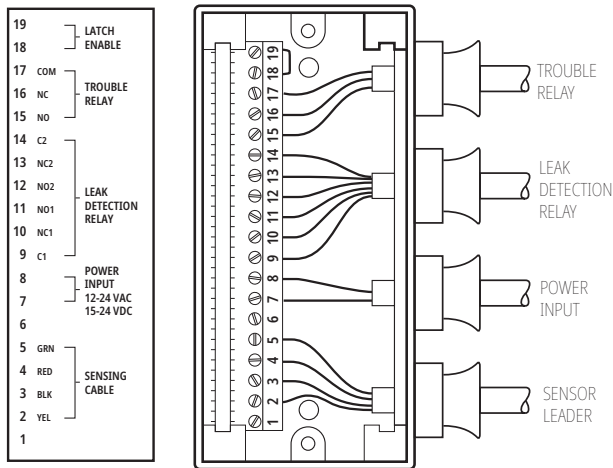
Catalog Number	Part Number	Description
TTC-1	698897-000	TTC-1 alarm module with relay contacts
Accessories: TTE-XAL	418569-000	External audible alarm
TTC-DRC	062825-000	DIN 1 rail mounting clip

MODULE FUNCTIONS



- A LEAK indicator (red LED)**
Indicates system has detected a leak.
- B CABLE BREAK indicator (yellow LED)**
Indicates system has detected a break in the sensing circuit.
- C RESET switch and indicator (red LED)**
Indicates leak relay has been activated. Push to reset manually.
- D POWER monitor (green LED)**
Indicates the system is on.
- E Adjusts leak alarm time delay (0–2 minutes).**
- F Adjusts leak alarm sensitivity.**

TERMINAL BLOCK WIRING



18-19	Latch enable (jumper enables leak alarm relay to latch)*
15-17	Trouble relay (SPDT)
9-14	Leak Detection relay (DPDT)
7-8	Power input, 12-24 volts AC or 15-24 volts DC
6	Open; do not use
2-5	Sensing cable (2-yellow, 3-black, 4-red, 5-green)
1	Open; do not use

*Note: If latch enable jumper is removed, leak relay automatically resets when cable dries

APPROVALS

TYPE NM



LISTED

General Signaling Equipment
76LJ

The TTC-1 module is UL Listed for use in nonhazardous locations.

North America

Tel +1 800 545 6258
info@chemelex.com

Latin America

Tel +1 713 868 4800
info@chemelex.com

Europe, Middle East, Africa, India

Tel +32 16 213 511
Fax +32 16 213 604
info@chemelex.com

Asia Pacific

Tel +86 21 2412 1688
infoAPAC@chemelex.com

chemelex
excellence is everything

Raychem Tracer Pyrotenax Nuheat