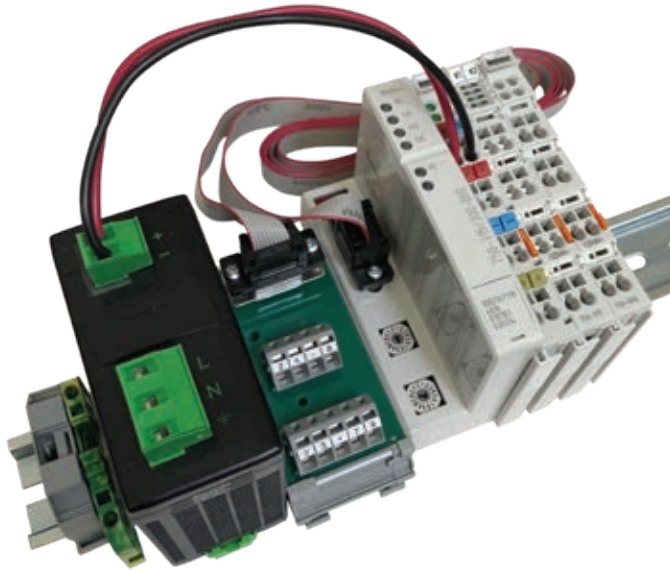


## Network relay module

### PRODUCT OVERVIEW



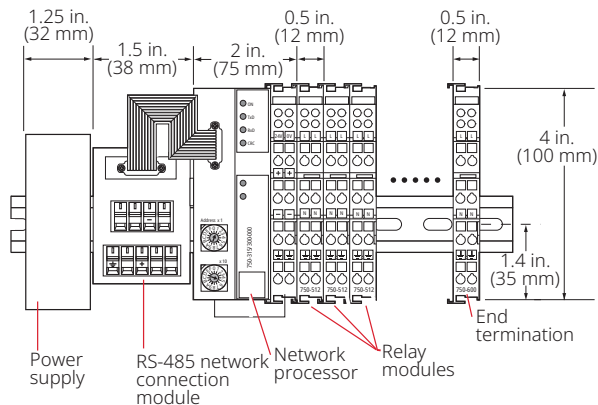
The Raychem Tracetek TT-NRM Network Relay Module provides the capability to add up to 320 individual alarm relays to a Raychem Tracetek TTDM-128 or TT-TS12 leak detection network. The TT-NRM communicates with the TTDM-128 or TT-TS12 via the same RS-485 network used for TTSIMs. The TT-NRM can be installed in a wide variety of configurations, allowing many leak detection system layout possibilities.

#### Expandable

The TT-NRM is supplied as a base unit (with power supply, communications interface, DIN rail and end blocks) and separate relay modules. Each relay module contains 2 independently addressable relays. Up to 16 relay modules can be installed on each base unit, and up to 10 base units can be connected to a single TTDM-128 or TT-TS12. The leak detection network can be expanded at any time with minimal effort.

#### Versatile

The TT-NRM can be installed in large panels, or wall mounted in its own optional enclosure. TT-NRMs can be centrally located with the TTDM-128 or TT-TS12, or distributed throughout the leak detection network to minimize wiring costs. The TT-NRM can be used to operate valves, control audible or visual alarms, or interface with other control systems.



Width = 5.0 in. + 0.5 in. per relay module (+ 3.5 in. for optional power supply)  
 = 127 mm + 12 mm per relay module (+ 90 mm for optional power supply)

### TECHNICAL INFORMATION

|                       |                |                                     |
|-----------------------|----------------|-------------------------------------|
| Network compatibility |                | TTDM-128 or TT-TS12                 |
| Relays                | Number         | Up to 32 Form A contacts per TT-NRM |
|                       | Voltage rating | 230 Vac, 30 Vdc                     |
|                       | Current rating | 1 Amp                               |
|                       | Isolation      | 2.5 kV                              |

## ENVIRONMENTAL RATINGS

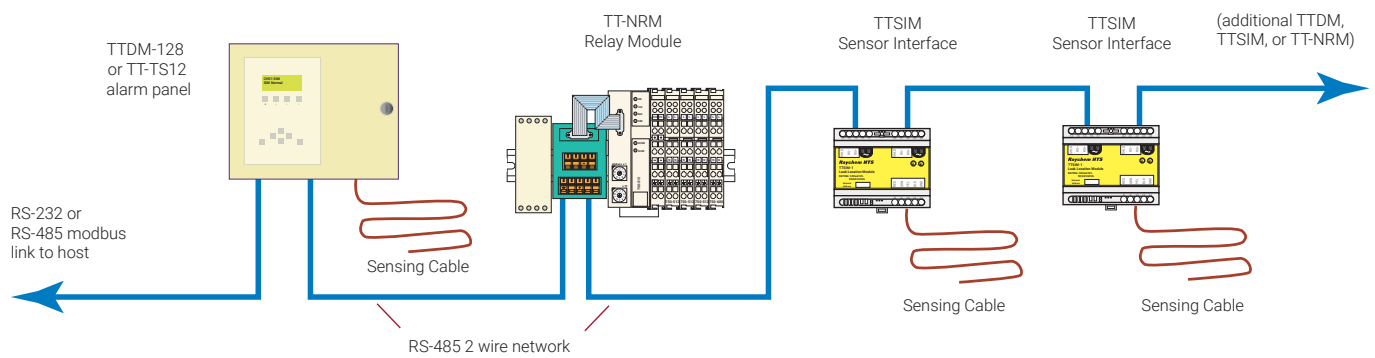
|                       |                          |
|-----------------------|--------------------------|
| Storage temperature   | -25 °C to 85 °C          |
| Operating temperature | 0 °C to 55 °C            |
| Humidity              | 5% to 95% non-condensing |
| Ingress protection    | IP 2X                    |

## POWER REQUIREMENTS

|                   |   |
|-------------------|---|
| Supply voltage    | 90~265 Volts, AC (50/60 Hz); 110-300VDC |
| Power consumption | 6 W                                     |

## ORDERING INFORMATION

|               | Catalog number | Part number | Description   |
|---------------|----------------|-------------|---|
| Base unit     | TT-NRM-BASE    | E03411-000  | Base unit with power supply, communication interface and 1 relay output module (2 relays) |
| Relay modules | TT-NRM-2RO     | A22673-000  | Relay output module with 2 relays   |



**TraceTek network arrangement**

## APPROVALS

Individual modules are listed or approved by UL, c-UL, KEMA and other national and international agencies. Contact the factory for questions regarding specific approvals.

## ELECTROMAGNETIC COMPATIBILITY

|  |                         |
|--|-------------------------|
| Compliant with standards for immunity  | EN 50082-2 (industrial) |
| Compliant with standards for emissions | EN 50081-2 (industrial) |

### North America

Tel +1 800 545 6258  
info@chemelex.com

### Latin America

Tel +1 713 868 4800  
info@chemelex.com

### Europe, Middle East, Africa, India

Tel +32 16 213 511  
Fax +32 16 213 604  
info@chemelex.com

### Asia Pacific

Tel +86 21 2412 1688  
infoAPAC@chemelex.com



**Raychem Tracer Pyrotenax Nuheat**