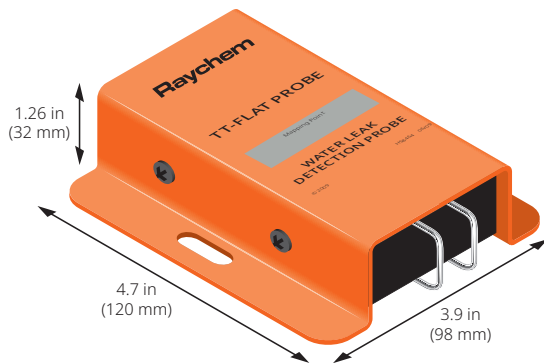


Water leak detection probe

PRODUCT OVERVIEW



The Raychem TraceTek TT-FLAT PROBE is a special purpose probe designed to detect water leaks in specific locations. It is intended to be floor or tray mounted, using either screw or adhesive attachment. The unit has an orange color to promote visibility in the installed location.

The TT-FLAT PROBE can detect water leaks in low spots, drip trays or sumps, where Raychem TraceTek sensing cables are inappropriate. The TT-FLAT PROBE is designed to be integrated as a part of a larger Raychem TraceTek leak detection system.

The TT-FLAT PROBE can be interconnected with jumper cable to other TT-FLAT PROBE or Raychem TraceTek sensing cable segments, and be monitored by a Raychem TraceTek TT-TS12 panel, TTDM-128 or TT-SIM module.

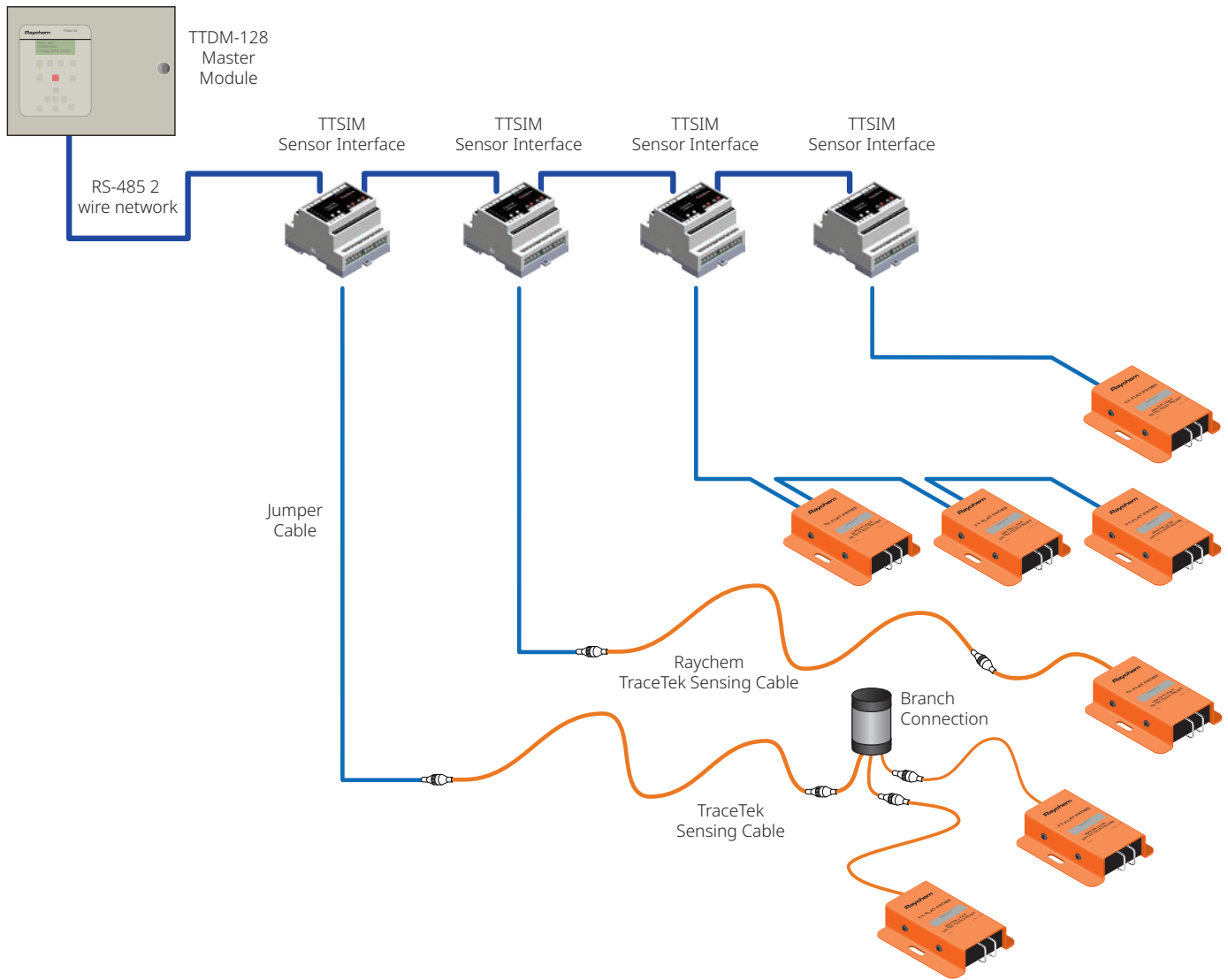
Simple and easy to use

The TT-FLAT PROBE is compatible with all Raychem TraceTek TT1000 system components.

The leak detection system design is very flexible with the TT-FLAT PROBE and leak detection cable.

The illustration below shows several possible leak detection circuits constructed from the TT-FLAT PROBE and Raychem TraceTek leak detection cable being monitored by a Raychem TraceTek TTDM-128 and TTSIM modules.

POTENTIAL CONFIGURATION EXAMPLE



ORDERING INFORMATION

Catalog number	P/N	Description
TT-FLAT PROBE	P000001074	Water leak detection probe

PRODUCT CHARACTERISTICS

Dimensions nominal	4.7 in L x 3.8 in W x 1.3 in H (120 mm L x 98 mm W x 32 mm H)
Weight	0.4 lb nominal
Shroud	Epoxy coated aluminum, orange
Probes	363 Stainless steel
Probe height above mounting surface	Fixed @ 0.04–0.08 in (1–2 mm) when placed flat. Can be wall mounted to any depth required.
Housing	Black ABS plastic, UL 94 HB flammability rating
Maximum ambient temperature	122°F (50°C)
Minimum ambient temperature	32°F (0°C)
Connections	4-wire TraceTek jumper cable to terminal strip

APPROVALS AND CERTIFICATIONS

TT-FLAT PROBE is approved for installation in ordinary and hazardous areas when used in conjunction with approved Raychem TraceTek monitoring equipment and zener safety barriers when appropriate.

The TT-FLAT PROBE is designated as "simple apparatus" and included in the approval certification for Raychem TraceTek monitoring instruments.

Consult the specific data sheets and approval certificates for Raychem TraceTek monitoring instruments for application limitations and specific area approvals and certifications



The TT-FLAT-PROBE is FM approved for use in the TraceTek Water Leak Detection System when installed with an FM Approved TraceTek Alarm and Locator Module to detect and locate water.

North America

Tel +1 800 545 6258
info@chemelex.com

Latin America

Tel +1 713 868 4800
info@chemelex.com

Europe, Middle East, Africa, India

Tel +32 16 213 511
Fax +32 16 213 604
info@chemelex.com

Asia Pacific

Tel +86 21 2412 1688
infoAPAC@chemelex.com



Raychem Tracer Pyrotenax Nuheat