

Raychem

**Elexant 9200i
Wireless Communications
Interface**

Installation Instructions
Installationsanleitung
Instructions d'installation



DESCRIPTION

The Raychem Elexant 9200i is a Wireless Communications Interface that provides an alternative solution to hardwired Remote Monitoring and Configuration of Electric Heat Tracing (EHT) systems. It integrates with Raychem Supervisor software and Electric Heat Trace (EHT) controllers, helping reduce TIC/TOC of a project.

The Elexant 9200i product line consists of the following:

- Standalone enclosures
- A wireless communications option within a given Control Panel
- External antenna packages

A minimum of two radio transceivers are required to establish a network. Standalone enclosures can be configured in many ways, enabling the customer to choose from a range of options: enclosure material, radio frequency, and antenna type.

TOOLS REQUIRED

Small flat-blade screwdriver (terminal driver), wire strippers and utility knife, and/or wire cutters.

SUPPORTING INFORMATION

Further information pertaining to transceiver hardware and software can be found within associated manufacturer's documentation.

APPROVALS

Areas of Use

Class I, Division 2 / Zone 2 Hazardous locations

Approvals (applicable to Enclosures)

Hazardous Locations



E490519
Proc. Cont. Eq.
For Haz.Loc

Class I, Division 2, Group A,B,C,D T4
Class I, Zone 2, IIC T4
Type 4X
IP64 (FW), IP66 (SW)



IECEX UL 20.0056 X Ex ec IIC T4 Gc IP64 (FW), IP66 (SW)
DEMKO 20 ATEX 2376 X
UL21UKEX2318X
II 3G Ex ec IIC T4 Gc IP64 (FW), IP66 (SW)

VARIANTS (NOT ALL VARIANTS ARE AVAILABLE IN ALL REGIONS)

Raychem Elexant 9200i Wireless Enclosures

(See Notes 1 and 2)

Description	Catalog Number	Part Number	Weight (kg/lbs)
Elexant 9200i 868 MHz Phoenix Contact module in FG enclosure with window, antenna, and pre-drilled holes for power (M25) and communications (M20)	10392-100	9200i-E-PC-868-FW	3.9 / 8.6
Elexant 9200i 868 MHz Phoenix Contact module in FG enclosure with window, external antenna connection, and pre-drilled holes for power (M25) and communications (M20) - antenna & coax sold separately	10392-101	9200i-E-PC-868-FW-EXT	3.2 / 7.1
Elexant 9200i 868 MHz Phoenix Contact module in SS enclosure with window, antenna, and pre-drilled holes for power (M25) and communications (M20)	10392-102	9200i-E-PC-868-SW	6.7 / 14.7
Elexant 9200i 868 MHz Phoenix Contact module in SS enclosure with window, external antenna connection, and pre-drilled holes for power (M25) and communications (M20) - antenna & coax sold separately	10392-103	9200i-E-PC-868-SW-EXT	6.0 / 13.2
Elexant 9200i 900 MHz Phoenix Contact module in FG enclosure with window and antenna	10392-104	9200i-A-PC-900-FW	3.9 / 8.6
Elexant 9200i 900 MHz Phoenix Contact module in FG enclosure with window and external antenna connection - antenna & coax sold separately	10392-105	9200i-A-PC-900-FW-EXT	3.2 / 7.1
Elexant 9200i 900 MHz Phoenix Contact module in SS enclosure with window and antenna	10392-106	9200i-A-PC-900-SW	6.7 / 14.7
Elexant 9200i 900 MHz Phoenix Contact module in SS enclosure with window and external antenna connection - antenna & coax sold separately	10392-107	9200i-A-PC-900-SW-EXT	6.0 / 13.2
Elexant 9200i 2.4 GHz Phoenix Contact module in FG enclosure with window and antenna	10392-108	9200i-A-PC-024-FW	3.9 / 8.6
Elexant 9200i 2.4 GHz Phoenix Contact module in FG enclosure with window and external antenna connection - antenna & coax sold separately	10392-109	9200i-A-PC-024-FW-EXT	3.2 / 7.1
Elexant 9200i 2.4 GHz Phoenix Contact module in SS enclosure with window and antenna	10392-110	9200i-A-PC-024-SW	6.7 / 14.7
Elexant 9200i 2.4 GHz Phoenix Contact module in SS enclosure with window and external antenna connection - antenna & coax sold separately	10392-111	9200i-A-PC-024-SW-EXT	6.0 / 13.2
Elexant 9200i 2.4 GHz Phoenix Contact module in FG enclosure with window, antenna, and pre-drilled holes for power (M25) and communications (M20)	10392-112	9200i-E-PC-024-FW	3.9 / 8.6
Elexant 9200i 2.4 GHz Phoenix Contact module in FG enclosure with window, external antenna connection, and pre-drilled holes for power (M25) and communications (M20) - antenna & coax sold separately	10392-113	9200i-E-PC-024-FW-EXT	3.2 / 7.1
Elexant 9200i 2.4 GHz Phoenix Contact module in SS enclosure with window, antenna, and pre-drilled holes for power (M25) and communications (M20)	10392-114	9200i-E-PC-024-SW	6.7 / 14.7
Elexant 9200i 2.4 GHz Phoenix Contact module in SS enclosure with window, external antenna connection, and pre-drilled holes for power (M25) and communications (M20) - antenna & coax sold separately	10392-115	9200i-E-PC-024-SW-EXT	6.0 / 13.2

Raychem Elexant 9200i Wireless Antenna Packages

All Antenna Packages listed are accessories to the Enclosures shown above, and are shown to assist the customer in product selection. However, they are not included in the approvals of the Enclosures. Each component of the antenna packages must have its own suitable certification for each use case. Refer to the section on 'SPECIFIC CONDITIONS OF SAFE USE' for further information.

(See Notes 1 and 2)

Description	Catalog Number	Part Number	Weight (kg/lbs)
Elexant 9200i 868 MHz Antenna Package Accessory - OMNI 2 dBi antenna with 3 meter coaxial cable, antenna bracket, and gland	10392-151	9200i-E-PC-ANT-868-OM1-3	1.4 / 3.1
Elexant 9200i 868 - 900 MHz Antenna Package Accessory - OMNI 2 dBi antenna with 3 meter coaxial cable, antenna bracket, and gland	10392-152	9200i-A-PC-ANT-900-OM2-3	1.4 / 3.1
Elexant 9200i 2.4 GHz Antenna Package Accessory - OMNI 2 dBi antenna with 3 meter coaxial cable, antenna bracket, and gland	10392-153	9200i-C-PC-ANT-024-OM3-3	1.4 / 3.1
Elexant 9200i 868 - 900 MHz Antenna Package Accessory - OMNI 5 dBi YAGI antenna with 3 meter coaxial cable, antenna bracket, and gland	10392-154	9200i-C-PC-ANT-900-YA1-3	2.1 / 4.6
Customized Antenna Package Accessory	9200i-ANT-C	9200i-ANT-C	N/A

Notes:

- Many countries restrict the use of specific Radio Frequencies. In general, the following frequencies can be used accordingly:
 - 868 MHz – EMEAI
 - 900 MHz – North America
 - 2.4 GHz – Global
- Further information pertaining to specific regional information can be found within the manufacturer's documentation.

WARNING:

This component is an electrical device that must be installed correctly to ensure proper operation and to prevent shock or fire.

GENERAL

Electromagnetic compatibility	Conformance with EMC Directive's 2004/108/EC and 2004/30/EU
Supply voltage	100 – 240 VAC, 50-60 Hz
Internal power consumption	< 9 W (900MHz), 2W (868MHz & 2.4GHz)
Transmission power	< 1 W

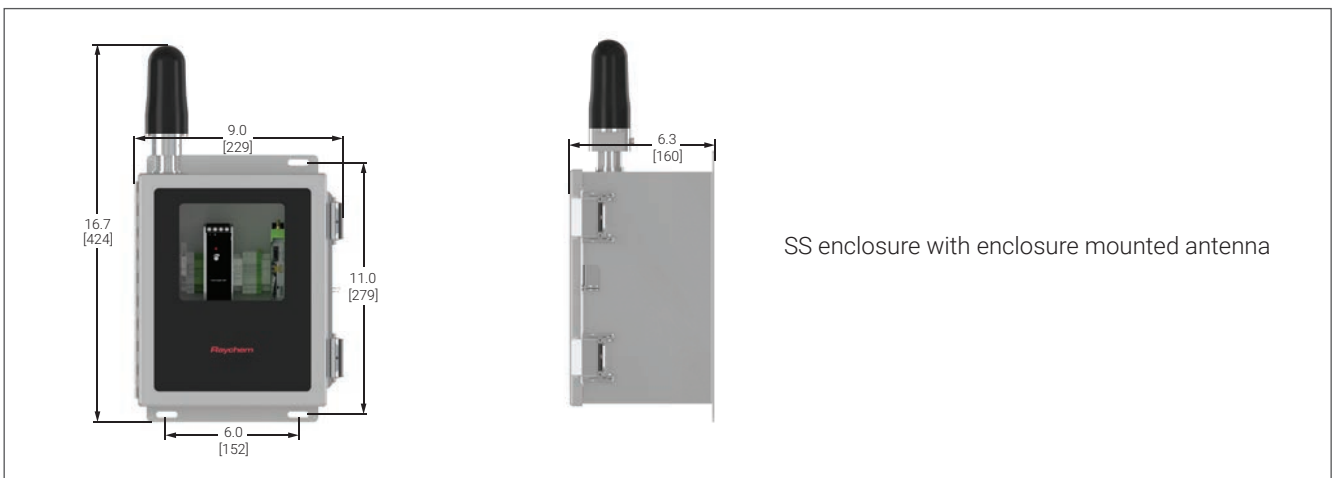
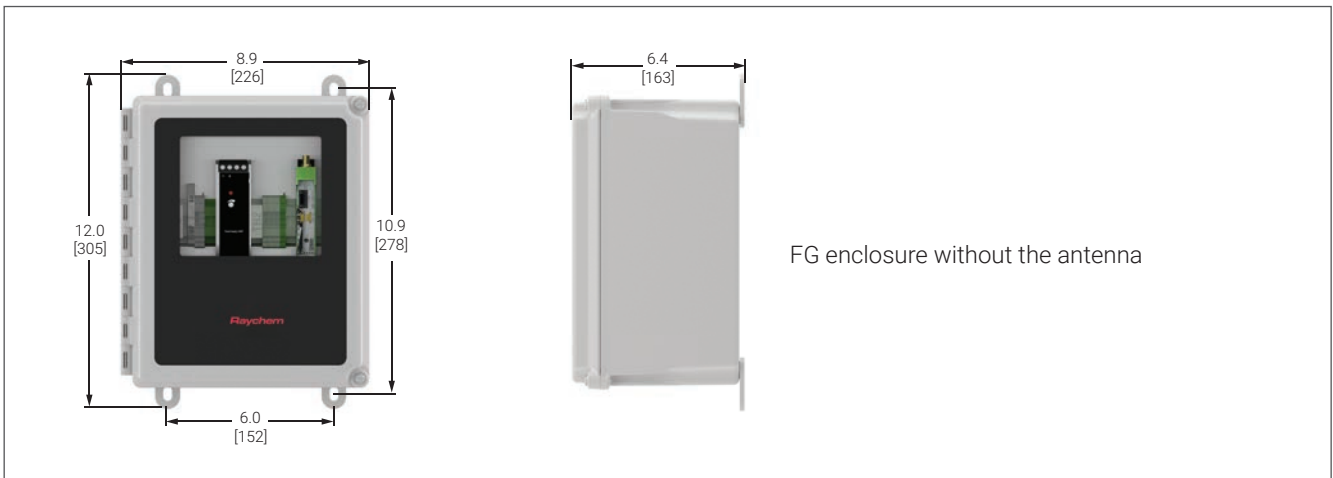
ENVIRONMENTAL

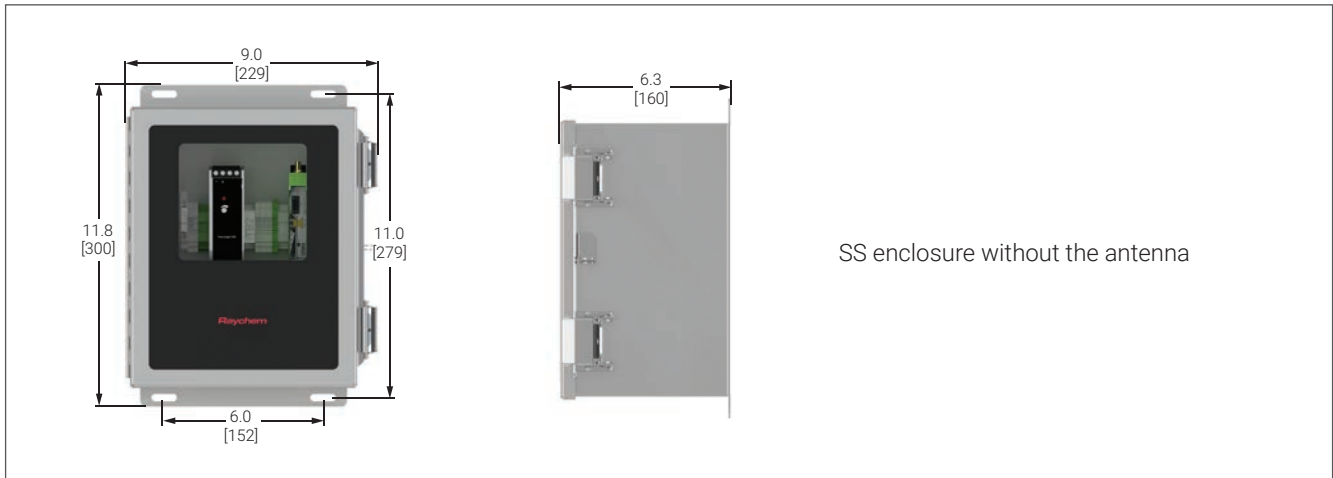
Protection	NEMA 4X, IP64 (FG enclosure), IP 66 (Stainless Steel Enclosure)
Materials	Fiberglass (FG) or Stainless Steel (SS304)
Ambient operating temperature	-40°C to 47°C (-40°F to 116°F) cULus variants -40°C to 52°C (-40°F to 125°F) IECEx / ATEX / UKEx variants
Ambient storage temperature	-40°C to 85°C (-67°F to 185°F)
Relative humidity	20% to 85% noncondensing
Environment	PD2, CAT III
Max. altitude	2,000 m (6,562 ft)

MOUNTING THE ELEXANT 9200I ENCLOSURE

The ideal mounting method is to secure the enclosure to channel strut, or other structural components, using the included mounting hardware.

Typical enclosure dimensions: inches [mm].





CONNECTIONS AND INDICATORS

Power supply input	Fuse terminal, 26 – 10 AWG (0.14 – 6 mm ²), torque 0.6 – 0.8 Nm
	Neutral terminal, 20 – 10 AWG (0.5 – 6 mm ²), cage clamp
	Ground (Earth), 20 – 10 AWG (0.5 – 6 mm ²), cage clamp
Minimum conductor temp. rating	80°C (176°F)
RS-485 communications	Comm terminals, 22 – 12 AWG (0.25 – 4 mm ²), cage clamp
	Ground (Earth), 22 – 12 AWG (0.25 – 4 mm ²), cage clamp

A. TB-1 Wiring

Terminals	Function
1	Power IN (L1)
2	Power IN (N)
PE	Earth Ground (G)

B. TB-2 Wiring

Terminals	Function
1	RS-485 +
2	RS-485 –
IE NOTE1	RS-485 Shield (SH)
PE	Earth Ground (G)

Note 1: To provide isolated earth for comm shield, remove jumper between IE & PE.

C. Antenna Connection

Note: Internal antenna connections made at factory. An external connection applies if using an external antenna package; such a connection method is provided.

D. Status LEDs – Radio transceivers

PWR	Green LED indicating status of supply voltage
Off	No supply voltage present
On	Supply voltage OK

DAT	Green LED indicating status of bus communications
Off	No communication
Flashing	Unit in Configuration mode
On	Cyclic data communication






⚠ WARNING:






Shock Hazard. Disconnect from live voltage prior to accessing terminals

ERR	Red LED indicating error state
Off	No error
Flashing – Slow (1.4 Hz)	When unit configured for I/O data mode
	Double assignment of I/O map address
	Missing input module
	Missing output module
	RAD ID changed
	When unit configured for PLC/Modbus RTU mode
	Double assignment of I/O map address
	RAD ID changed
	No Modbus communication
Flashing – Fast (2.8 Hz)	Wireless connection interrupted
On	Local bus error

RX	Green LED indicating Receive data activity of wireless transmissions, in conjunction with serial interface
-----------	--

TX	Green LED indicating Transmit data activity of wireless transmissions, in conjunction with serial interface
-----------	---

LED Bar Graph		Green and Yellow LEDs indicating receive signal strength	
Graph status	LEDs	Receive signal	RSSI voltage
	All 4 LEDs are lit	Connection with maximum receive signal strength	2.5 to 3.0 V
	1 Yellow LED and 2 Green LEDs are lit	Connection with very good receive signal strength	2.0 to 2.5 V
	1 Yellow LED and 1 Green LED is lit	Connection with good receive signal strength	1.5 to 2.0 V
	1 Yellow LED lit	Connection with weak receive signal strength	1.0 to 1.5 V
	All LEDs off	Not connected Configuration mode Overload	0 VDC

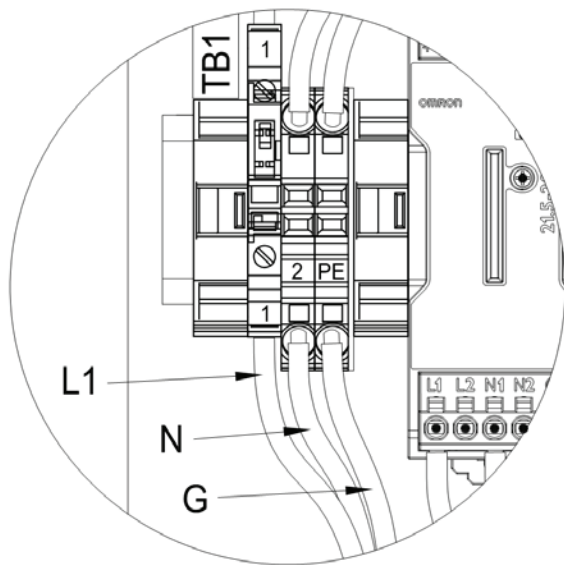
868 MHz Radio Levels						
LED Bar Graph	1.2k	9.6k	19.2k	60k	120k	RSSI voltage
	-90 dBm	-85 dBm	-80 dBm	-75 dBm	-70 dBm	≥ 2.5 V
	-100 dBm	-95 dBm	-90 dBm	-85 dBm	-80 dBm	≥ 2.0 V
	-110 dBm	-105 dBm	-100 dBm	-95 dBm	-90 dBm	≥ 1.5 V
	LINK	LINK	LINK	LINK	LINK	~ 1.0 V
	Not Connected, Configuration more, or overload					0 V

900 MHz Radio Levels					
LED Bar Graph	16k	125k	250k	500k	RSSI voltage
	-75 dBm	-70 dBm	-65 dBm	-60 dBm	2.5 to 3.0 V
	-85 dBm	-80 dBm	-75 dBm	-70 dBm	2.0 to 2.5 V
	-95 dBm	-90 dBm	-85 dBm	-80 dBm	1.5 to 2.0 V
	LINK	LINK	LINK	LINK	1.0 to 1.5 V
	Not Connected, Configuration more, or overload				0 V

2.4 GHz Radio Levels				
LED Bar Graph	16k	125k	250k	RSSI voltage
	-70 dBm	-65 dBm	-60 dBm	≥ 2.5 V
	-80 dBm	-75 dBm	-70 dBm	≥ 2.0 V
	-90 dBm	-85 dBm	-80 dBm	≥ 1.5 V
	LINK	LINK	LINK	~ 1.0 V
	Not Connected, Configuration more, or overload			0 V

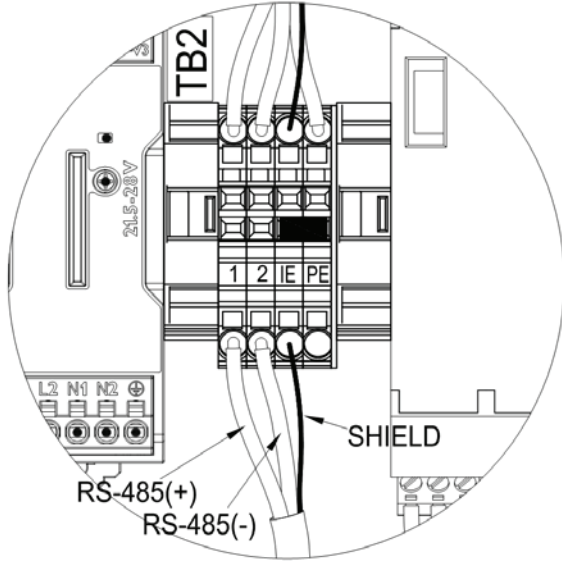
1. INPUT POWER

The input power connection is made at the screw terminals on Terminal Block TB-1.



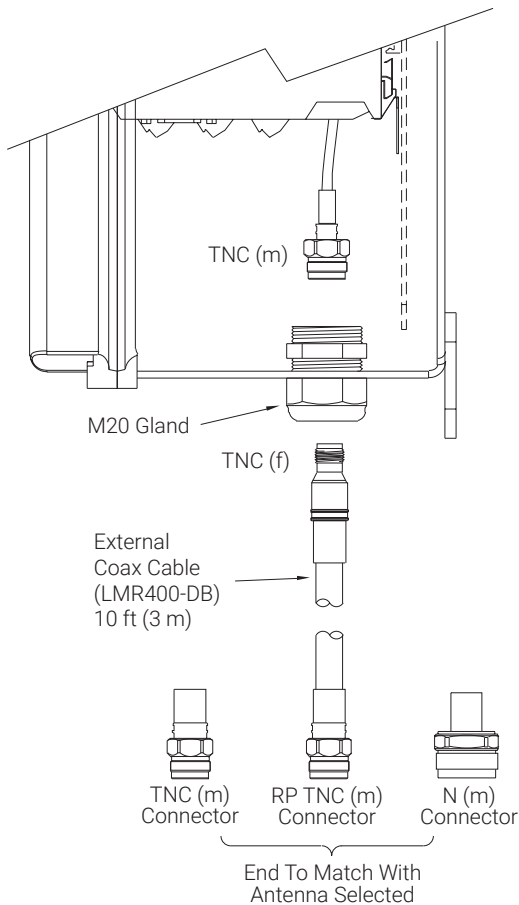
2. RS-485 CONNECTIONS

Wiring for RS-485 communications is made at screw terminals on Terminal Block TB-2.



3. ANTENNA COAXIAL CONNECTION

Depending on the package purchased, an external antenna may need to be connected.



SPECIFIC CONDITIONS OF SAFE USE

- The enclosure of the device shall be fitted with a locking mechanism such that it is only accessible with the use of a tool
- To maintain an internal pollution degree 2 environment, after opening the enclosure, make sure there is no visible condensation or dust. Power the device and let it heat up for 5 minutes before closing the enclosure door
- Only install in areas with low risk of mechanical impact
- Enclosure openings must be filled by equipment marked for use in ATEX / UKEx / IECEx Zone 2 areas, and match or exceed the IP rating of the enclosures. General Guide to Cable Entry Positions into Cable Gland or Enclosure Side:
 - Maximum hole diameter is major thread diameter of cable gland plus 0.7 mm (.03")
 - Minimum material to be maintained between holes: Glands M16 through M32: 15 mm (0.59") Glands M35 through M75: 20 mm (0.79") Glands M75 through M100: 35 mm (1.38"). Prior to making holes in the enclosure wall or gland plate, verify that the selected gland will not interfere with the sealing washer and locknut
 - Select a gland for the correct application with the proper certifications. Make certain all cable gland accessories are included for through hole installation. Additional accessories may include locknut and sealing washers
 - Install the gland in accordance to the manufacturer's instructions
 - Holes must be located to prevent sealing washer and locknut from interfering with gasket
- Externally mounted antennas and accessories must be suitable for ATEX / UKEx / IECEx Zone 2 areas, and match or exceed the IP rating of the enclosures
- The fuse for incoming power shall be considered user replaceable. Refer to Enclosure Drawing Bill of Materials for the correct Current Rating, Model, and Part Number of the fuse. Prior to replacing the fuse, disable or disconnect from power. Upon replacing the fuse, remove the fuse plug / housing, replace the fuse per note above, close and re-seat the fuse plug / housing securely



WARNING: Explosion Hazard – Substitution of components may impair suitability for Class I, Division 2 hazardous and nonhazardous locations



WARNING: Explosion Hazard – Do not disconnect equipment unless power has been switched off or the area is known to be nonhazardous.



WARNING: Explosion Hazard – To prevent the risk of electrostatic discharge, only clean the equipment enclosure with a damp cloth.



BESCHREIBUNG

Als drahtlose Kommunikationsschnittstelle bietet das Wireless-Funkmodul Raychem Elexant 9200i eine alternative Lösung zur fest verdrahteten Fernüberwachung und Konfiguration von elektrischen Begleitheizungssystemen (EHT). Es lässt sich mit der Raychem Supervisor-Software und den Reglern für Begleitheizungen integrieren und leistet so einen Beitrag zur Senkung der Gesamtbetriebskosten eines Projekts.

Die Produktlinie Elexant 9200i umfasst die folgenden Produkte:

- Standalone-Gehäuse
- Eine Option zur drahtlosen Kommunikation innerhalb einer gegebenen Schalttafel
- Externe Antennenpakete

Zum Aufbau eines Netzwerks sind mindestens zwei Funktransceiver erforderlich. Standalone-Gehäuse können auf vielfältige Weise konfiguriert werden und bieten dem Kunden eine Reihe von Optionen zur Auswahl: Gehäusewerkstoffe, Frequenzband und Antennentyp

ERFORDERLICHES WERKZEUG

Kleiner Flachklingen-Schraubendreher (Klemmen-Schraubendreher), Abisolierzange und Universalmesser und/oder Seitenschneider.

WEITERFÜHRENDE INFORMATIONEN

Weitere Informationen zu Hardware und Software des Transceivers finden Sie in der Dokumentation des Herstellers.

ZULASSUNGEN

Einsatzbereich

Explosionsgefährdete Bereiche Klasse I; Division 2 / Zone 2

Zulassungen (gilt für Gehäuse)

Explosionsgefährdete Bereiche



Klasse I, Division 2, Gruppe A, B, C, D T4
 Klasse I, Zone 2, IIC T4
 NEMA 4x geschützte Ausführung
 IP64 (FW), IP66 (SW)

E490519
 Proc. Cont. Eq.
 Für Ex-Bereich



IECEx UL 20.0056 X Ex ec IIC T4 Gc IP64 (FW), IP66 (SW)
 DEMKO 20 ATEX 2376 X
 UL21UKEX2318X
 II 3G Ex ec IIC T4 Gc IP64 (FW), IP66 (SW)

AUSFÜHRUNGEN (NICHT ALLE AUSFÜHRUNGEN SIND IN ALLEN REGIONEN LIEFERBAR)

Raychem Elexant 9200i Funkmodul-Gehäuse

(S. Anmerkungen 1 und 2)

Beschreibung	Katalognummer	Bestellnummer	Gewicht (kg/lbs)
Elexant 9200i 868 MHz-Modul von Phoenix Contact im GFK-Gehäuse mit Fenster, Antenne und vorgestanzten Bohrungen für Stromversorgung (M25) und Kommunikation (M20)	10392-100	9200i-E-PC-868-FW	3,9 / 8,6
Elexant 9200i 868 MHz-Modul von Phoenix Contact im GFK-Gehäuse mit Fenster, externem Antennenanschluss und vorgestanzten Bohrungen für Stromversorgung (M25) und Kommunikation (M20) - Antenne und Koaxkabel bitte separat bestellen	10392-101	9200i-E-PC-868-FW-EXT	3,2 / 7,1
Elexant 9200i 868 MHz-Modul von Phoenix Contact im Edelstahlgehäuse mit Fenster, Antenne und vorgestanzten Bohrungen für Stromversorgung (M25) und Kommunikation (M20)	10392-102	9200i-E-PC-868-SW	6,7 / 14,7
Elexant 9200i 868 MHz-Modul von Phoenix Contact im Edelstahlgehäuse mit Fenster, externem Antennenanschluss und vorgestanzten Bohrungen für Stromversorgung (M25) und Kommunikation (M20) - Antenne und Koaxkabel bitte separat bestellen	10392-103	9200i-E-PC-868-SW-EXT	6,0 / 13,2
Elexant 9200i 900 MHz-Modul von Phoenix Contact im GFK-Gehäuse mit Fenster und Antenne	10392-104	9200i-A-PC-900-FW	3,9 / 8,6
Elexant 9200i 900 MHz-Modul von Phoenix Contact im GFK-Gehäuse mit Fenster und externem Antennenanschluss - Antenne und Koaxkabel bitte separat bestellen	10392-105	9200i-A-PC-900-FW-EXT	3,2 / 7,1
Elexant 9200i 900 MHz-Modul von Phoenix Contact im Edelstahlgehäuse mit Fenster und Antenne	10392-106	9200i-A-PC-900-SW	6,7 / 14,7
Elexant 9200i 900 MHz-Modul von Phoenix Contact im Edelstahlgehäuse mit Fenster und externem Antennenanschluss - Antenne und Koaxkabel bitte separat bestellen	10392-107	9200i-A-PC-900-SW-EXT	6,0 / 13,2
Elexant 9200i 2,4 GHz-Modul von Phoenix Contact im GFK-Gehäuse mit Fenster und Antenne	10392-108	9200i-A-PC-024-FW	3,9 / 8,6
Elexant 9200i 2,4 GHz-Modul von Phoenix Contact im GFK-Gehäuse mit Fenster und externem Antennenanschluss - Antenne und Koaxkabel bitte separat bestellen	10392-109	9200i-A-PC-024-FW-EXT	3,2 / 7,1
Elexant 9200i 2,4 GHz-Modul von Phoenix Contact im Edelstahlgehäuse mit Fenster und Antenne	10392-110	9200i-A-PC-024-SW	6,7 / 14,7
Elexant 9200i 2,4 GHz-Modul von Phoenix Contact im Edelstahlgehäuse mit Fenster und externem Antennenanschluss - Antenne und Koaxkabel bitte separat bestellen	10392-111	9200i-A-PC-024-SW-EXT	6,0 / 13,2
Elexant 9200i 2,4 GHz-Modul von Phoenix Contact im GFK-Gehäuse mit Fenster, Antenne und vorgestanzten Bohrungen für Stromversorgung (M25) und Kommunikation (M20)	10392-112	9200i-E-PC-024-FW	3,9 / 8,6
Elexant 9200i 2,4 GHz-Modul von Phoenix Contact im GFK-Gehäuse mit Fenster, externem Antennenanschluss und vorgestanzten Bohrungen für Stromversorgung (M25) und Kommunikation (M20) - Antenne und Koaxkabel bitte separat bestellen	10392-113	9200i-E-PC-024-FW-EXT	3,2 / 7,1
Elexant 9200i 2,4 GHz-Modul von Phoenix Contact im Edelstahlgehäuse mit Fenster, Antenne und vorgestanzten Bohrungen für Stromversorgung (M25) und Kommunikation (M20)	10392-114	9200i-E-PC-024-SW	6,7 / 14,7
Elexant 9200i 2,4 GHz-Modul von Phoenix Contact im Edelstahlgehäuse mit Fenster, externem Antennenanschluss und vorgestanzten Bohrungen für Stromversorgung (M25) und Kommunikation (M20) - Antenne und Koaxkabel bitte separat bestellen	10392-115	9200i-E-PC-024-SW-EXT	6,0 / 13,2

Raychem Elexant 9200i Wireless Antennenpakete

Alle aufgeführten Antennenpakete sind Zubehör zu den oben gezeigten Gehäusen und sollen dem Kunden bei der Produktauswahl helfen. Sie sind jedoch in den Gehäusezulassungen nicht enthalten. Alle Komponenten der Antennenpakete müssen eine eigene entsprechende Zertifizierung für den jeweiligen Anwendungsfall besitzen. Weitere Informationen entnehmen Sie bitte dem Abschnitt „Spezifische Bedingungen für den sicheren Einsatz“.

(S. Anmerkungen 1 und 2)

Beschreibung	Katalognummer	Bestellnummer	Gewicht (kg/lbs)
Elexant 9200i 868 MHz Antennenpaket-Zubehör - OMNI-Antenne mit 2 dBi Verstärkung, 3 Meter Koaxkabel, Antennenhalterung und Verschraubung	10392-151	9200i-E-PC-ANT-868-OM1-3	1,4 / 3,1
Elexant 9200i 868 - 900 MHz-Antennenpaket-Zubehör - OMNI-Antenne mit 2 dBi Verstärkung, 3 Meter Koaxkabel, Antennenhalterung und Verschraubung	10392-152	9200i-A-PC-ANT-900-OM2-3	1,4 / 3,1
Elexant 9200i 2,4 GHz Antennenpaket-Zubehör - OMNI-Antenne mit 2 dBi Verstärkung, 3 Meter Koaxkabel, Antennenhalterung und Verschraubung	10392-153	9200i-C-PC-ANT-024-OM3-3	1,4 / 3,1
Elexant 9200i 868 - 900 MHz Antennenpaket-Zubehör - OMNI YAGI-Antenne mit 5 dBi Verstärkung, 3 Meter Koaxkabel, Antennenhalterung und Verschraubung	10392-154	9200i-C-PC-ANT-900-YA1-3	2,1 / 4,6
Kundenspezifisches Antennenpaket-Zubehör	9200i-ANT-C	9200i-ANT-C	-

Hinweise:

1. Viele Länder schränken die Nutzung bestimmter Funkfrequenzen ein. Grundsätzlich können die jeweiligen Frequenzen wie folgt verwendet werden:
 - a. 868 MHz – EMEA
 - b. 900 MHz – Nordamerika
 - c. 2,4 GHz – Weltweit
2. Weitere Informationen zu spezifischen Regionen finden Sie in der Dokumentation des Herstellers.

WARNUNG:

Dieses elektronische Gerät muss fachgerecht installiert werden, um einen einwandfreien Betrieb zu gewährleisten und Stromschläge oder Brandgefahr auszuschließen.

ALLGEMEINES

Elektromagnetische Verträglichkeit	Konformität mit den EMV-Richtlinien 2004/108/EG und 2004/30/EU
Betriebsspannung	100 – 240 VAC, 50-60 Hz
Interne Leistungsaufnahme	< 9 W (900 MHz), 2 W (868 MHz und 2,4 GHz)
Sendeleistung	< 1 W

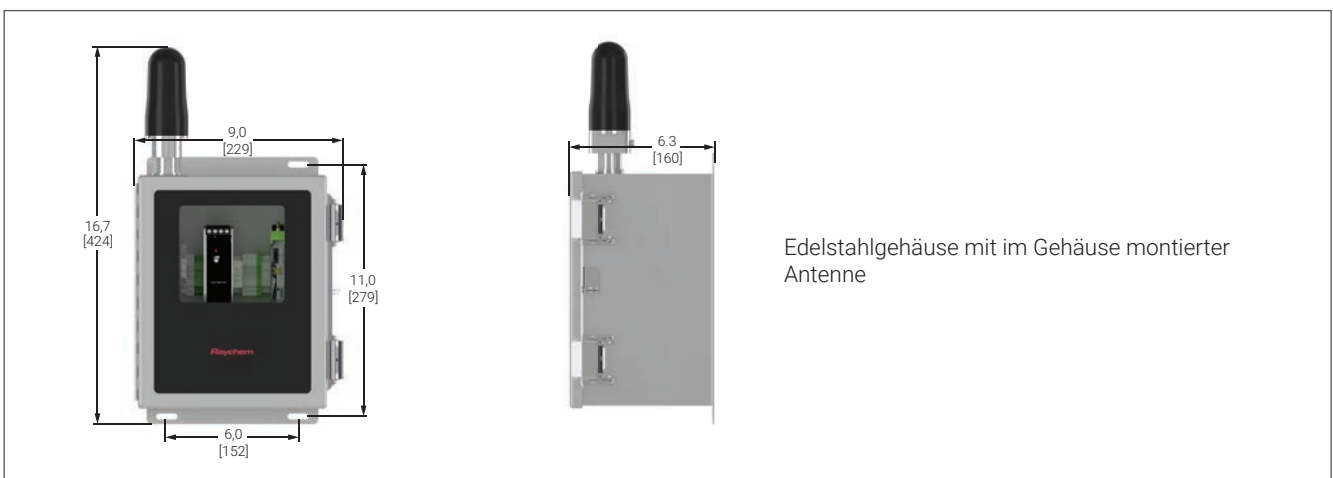
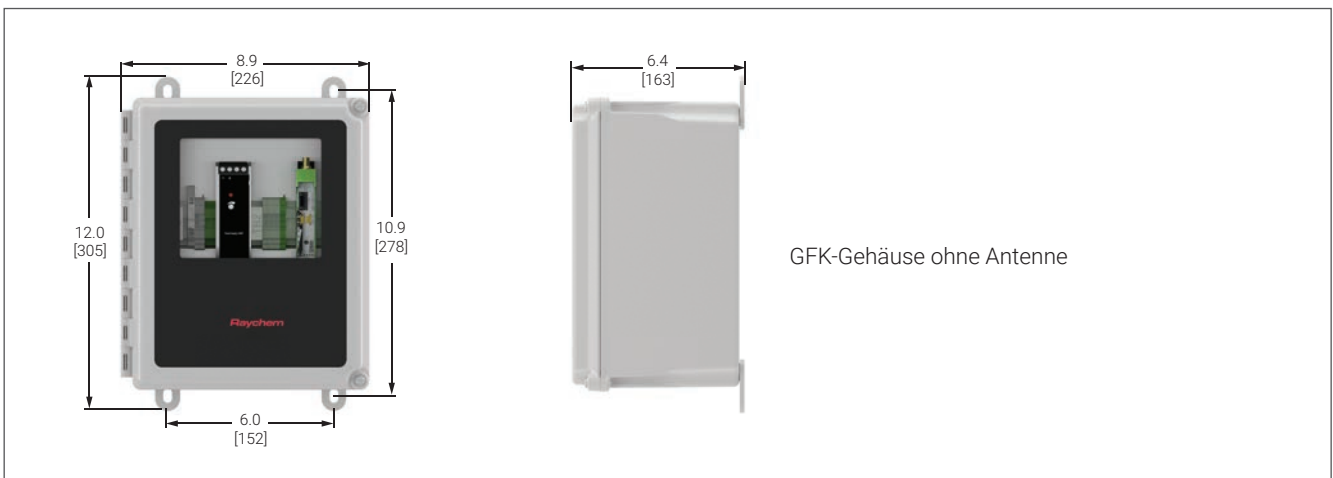
UMGEBUNGSBEDINGUNGEN

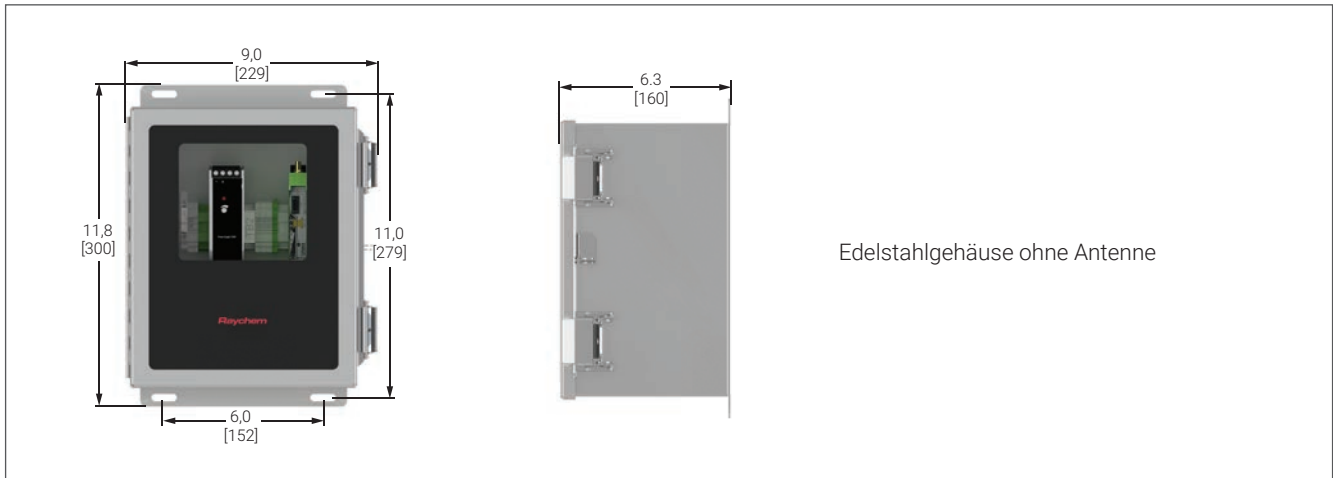
Schutzart	IP64 (NEMA 4X) (GFK-Gehäuse), IP 66 (Edelstahlgehäuse)
Werkstoffe	GFK (FG) oder Edelstahl (SS304)
Umgebungstemperatur – Betrieb	-40°C bis 47°C (-40°F bis 116°F) cULus-Ausführungen -40°C bis 52°C (-40°F bis 125°F) IECEx / ATEX / UKEx-Ausführungen
Umgebungstemperatur – Lagerung	-40°C bis 85°C (-67°F bis 185°F)
Relative Luftfeuchtigkeit	20–85 %, keine Kondensation
Umgebung	PD2, CAT III
Max. Meereshöhe	2.000 m (6.562 ft)

MONTAGE DES ELEXANT 9200I GEHÄUSES

Idealerweise wird das Gehäuse mit dem mitgelieferten Montagezubehör an Streben des Kabelkanals oder anderen strukturellen Komponenten befestigt.

Typische Gehäuseabmessungen: Zoll [mm].





ANSCHLÜSSE UND ANZEIGEN

Versorgungseingang	Sicherungsklemme, 0,14 – 6 mm ² (26 – 10 AWG), Drehmoment 0,6 – 0,8 Nm
	Nullleiterklemmen, 0,5 – 6 mm ² (20 – 10 AWG), Käfigklemmen
	Erdungsklemmen, 0,5 – 6 mm ² (20 – 10 AWG), Käfigklemmen
Mindest-Leitertemperaturklasse	80°C
RS485-Kommunikation	Komm.-Klemmen, 0,25 – 4 mm ² (22 – 12 AWG), Käfigklemmen
	Erdungsklemmen, 0,25 – 4 mm ² (22 – 12 AWG), Käfigklemmen

A. Verdrahtung TB-1

Klemmen	Funktion
1	Versorgungsspannung EIN (L1)
2	Versorgungsspannung EIN (N)
PE	Schutzerde (G)

B. Verdrahtung TB-2

Klemmen	Funktion
1	RS485 +
2	RS-485 –
IE <small>HINWEIS 1</small>	RS485 Abschirmung (SH)
PE	Schutzerde (G)

Hinweis 1: Um eine galvanisch getrennte Erde für die Abschirmung der Kommunikationsleitungen bereitzustellen, entfernen Sie die Brücke zwischen IE und PE.

C. Antennenanschluss

Hinweis: Interne Antennenanschlüsse werden werkseitig hergestellt. Bei Verwendung eines externen Antennenpakets ist eine externe Verbindung erforderlich; ein entsprechender Anschluss ist vorhanden.

D. Status-LEDs – Funktransceiver

VERSORGUNG	Grüne LED zur Statusanzeige der Betriebsspannung
Aus	Keine Betriebsspannung vorhanden
Ein	Betriebsspannung OK

DAT	Grüne LED zur Statusanzeige der Buskommunikation
Aus	Keine Kommunikation
Blinkend	Gerät im Konfigurationsmodus
Ein	Zyklische Datenkommunikation






WARNUNG:






Stromschlaggefahr! Trennen Sie das Gerät vom Netz, bevor Sie Klemmen berühren

ERR	Rote LED zur Anzeige des Fehlerstatus
Aus	Kein Fehler
Blinkend – Langsam (1,4 Hz)	Bei Geräten, die auf I/O-Datenmodus konfiguriert sind
	Doppelte Zuordnung der I/O-Mapping-Adresse
	Fehlendes Eingangsmodul
	Fehlendes Ausgangsmodul
	RAD-ID geändert
	Bei Geräten, die auf SPS/Modbus RTU-Modus konfiguriert sind
	Doppelte Zuordnung der I/O-Mapping-Adresse
	RAD-ID geändert
	Keine MODBUS-Kommunikation
Blinkend – Schnell (2,8 Hz)	Wireless-Verbindung unterbrochen
Ein	Lokaler Busfehler

RX	Grüne LED zur Anzeige der drahtlosen Empfangsdatenaktivitäten in Verbindung mit der seriellen Schnittstelle
-----------	---

TX	Grüne LED zur Anzeige der drahtlosen Sendedatenaktivitäten in Verbindung mit der seriellen Schnittstelle
-----------	--

LED-Balkenanzeige		Grüne und gelbe LEDs zur Anzeige der Empfangssignalstärke	
Balkenanzeige-Status	LEDs	Empfangssignal	RSSI-Spannung
	Alle 4 LEDs leuchten	Verbindung mit maximaler Empfangssignalstärke	2,5 bis 3,0 V
	1 Gelbe LED leuchtet und 2 Grüne LEDs leuchten	Verbindung mit sehr guter Empfangssignalstärke	2,0 bis 2,5 V
	1 Gelbe LED leuchtet und 1 Grüne LED leuchtet	Verbindung mit guter Empfangssignalstärke	1,5 bis 2,0 V
	1 Gelbe LED leuchtet	Verbindung mit geringer Empfangssignalstärke	1,0 bis 1,5 V
	Alle LEDs aus	unbelegt Konfigurationsmodus Überlast	0 V DC

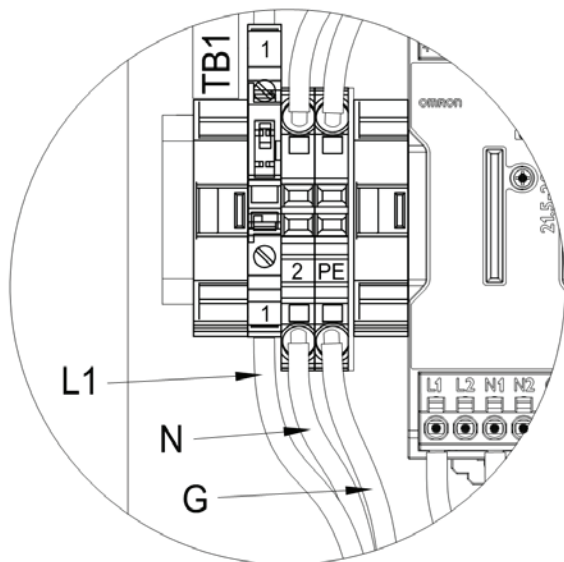
868-MHz-Funkpegel						
LED-Balkenanzeige	1.2k	9.6k	19.2k	60k	120k	RSSI-Spannung
	-90 dBm	-85 dBm	-80 dBm	-75 dBm	-70 dBm	$\geq 2,5$ V
	-100 dBm	-95 dBm	-90 dBm	-85 dBm	-80 dBm	$\geq 2,0$ V
	-110 dBm	-105 dBm	-100 dBm	-95 dBm	-90 dBm	$\geq 1,5$ V
	LINK	LINK	LINK	LINK	LINK	$\sim 1,0$ V
	Unbelegt, weitere Konfiguration oder Überlast					0 V

900-MHz-Funkpegel					
LED-Balkenanzeige	16k	125k	250k	500k	RSSI-Spannung
	-75 dBm	-70 dBm	-65 dBm	-60 dBm	2,5 bis 3,0 V
	-85 dBm	-80 dBm	-75 dBm	-70 dBm	2,0 bis 2,5 V
	-95 dBm	-90 dBm	-85 dBm	-80 dBm	1,5 bis 2,0 V
	LINK	LINK	LINK	LINK	1,0 bis 1,5 V
	Unbelegt, weitere Konfiguration oder Überlast				0 V

2,4-GHz-Funkpegel				
LED-Balkenanzeige	16k	125k	250k	RSSI-Spannung
	-70 dBm	-65 dBm	-60 dBm	$\geq 2,5$ V
	-80 dBm	-75 dBm	-70 dBm	$\geq 2,0$ V
	-90 dBm	-85 dBm	-80 dBm	$\geq 1,5$ V
	LINK	LINK	LINK	$\sim 1,0$ V
	Unbelegt, weitere Konfiguration oder Überlast			0 V

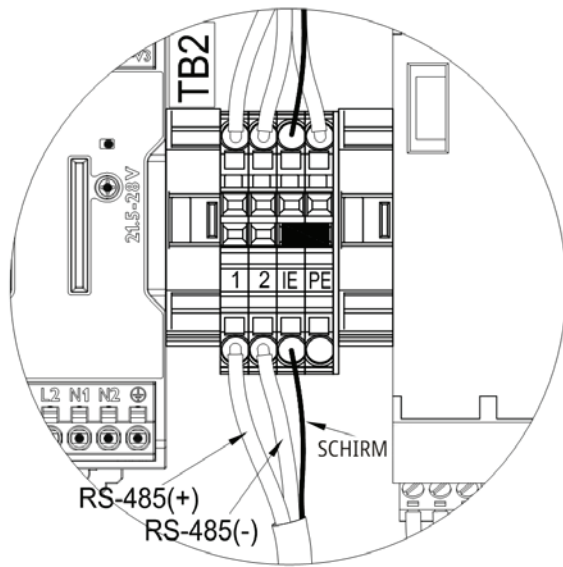
1. SPANNUNGSVERSORUNG

Die Spannungsversorgung wird an die Schraubklemmen an Klemmenblock TB-1 angeschlossen.



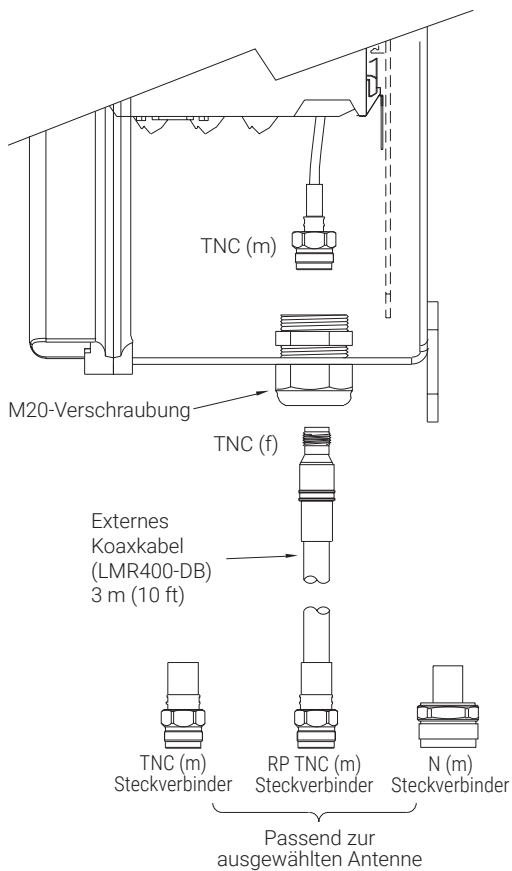
2. RS485-ANSCHLÜSSE

Die RS485-Kommunikation wird an die Schraubklemmen an Klemmenblock TB-2 angeschlossen.



3. ANTENNEN-KOAXANSCHLUSS

Je nach erworbenem Paket muss eine externe Antenne angeschlossen werden.



SPEZIFISCHE BEDINGUNGEN FÜR DEN SICHEREN EINSATZ

- Das Gehäuse des Geräts muss mit einem Verriegelungsmechanismus ausgestattet sein, so dass es nur mit einem Werkzeug zugänglich ist
- Um nach dem Öffnen des Gehäuses eine Umgebung des Verschmutzungsgrades 2 im Inneren zu halten, ist sicherzustellen, dass keine sichtbare Kondensation oder Staub vorhanden ist. Vor dem Schließen der Gehäusetür das Gerät einschalten und 5 Minuten lang aufheizen lassen
- Nur in Bereichen mit geringem Risiko für mechanische Einwirkungen installieren
- In die Gehäuseöffnungen müssen mit Vorrichtungen eingesetzt werden, die für den Einsatz in ATEX / UKEx / IECEx-Bereichen der Zone 2 gekennzeichnet sind und mindestens die gleiche IP-Schutzart wie das Gehäuse haben. Allgemeine Richtlinien für die Kabeleinführungsposition in die Kabelverschraubung oder Gehäuseseite:
 - Der maximale Lochdurchmesser ist der Hauptgewindedurchmesser der Kabelverschraubung plus 0,7 mm (0,03")
 - Mindestmaterial, das zwischen den Löchern beibehalten werden muss: Verschraubungen von M16 bis M32: 15 mm (0,59")
Verschraubungen von M35 bis M75: 20 mm (0,79") Verschraubungen von M75 bis M100: 35 mm (1,38"). Vergewissern Sie sich vor dem Bohren von Löchern in die Gehäusewand oder Verschraubungsplatte, dass die gewählte Verschraubung die Dichtungsscheibe und die Sicherungsmutter nicht behindert.
 - Wählen Sie eine für die Anwendung geeignete Verschraubung mit den entsprechenden Zertifizierungen. Stellen Sie sicher, dass alle Kabelverschraubungs-Zubehöerteile für die Montage in Durchgangsbohrungen vorhanden sind. Weiteres Zubehör kann Sicherungsmuttern und Dichtungsscheiben umfassen.
 - Montieren Sie die Verschraubung gemäß den Anweisungen des Herstellers
 - Die Öffnungen müssen so angeordnet sein, dass Dichtungsscheibe und Sicherungsmutter nicht mit der Dichtung in Konflikt geraten können.
- Extern montierte Antennen und Zubehöerteile müssen für ATEX / UKEx / IECEx-Bereiche der Zone 2 geeignet sein und mindestens die gleiche IP-Schutzart wie das Gehäuse haben.
- Die Sicherung für die Spannungsversorgung gilt als vom Benutzer austauschbar. Die korrekten Kennwerte, das Modell und die Teilenummer der Sicherung entnehmen Sie bitte der Stückliste in der Gehäusezeichnung. Vor dem Auswechseln der Sicherung ist die Spannungsversorgung zu deaktivieren oder zu trennen. Entfernen Sie zum Austausch der Sicherung den Sicherungsstecker/das Gehäuse, ersetzen Sie die Sicherung gemäß obigem Hinweis, schließen Sie den Sicherungsstecker/das Gehäuse und setzen Sie es wieder sicher ein.



Warnung: Explosionsgefahr – Der Austausch von Komponenten kann die Eignung nach Klasse I, Division 2 für explosions- bzw. nicht explosionsgefährdete Standorte beeinträchtigen



Warnung: Explosionsgefahr – Geräte nur abklemmen, wenn vorher die Spannungsversorgung abgeschaltet wurde oder bekannt ist, dass der Bereich ex-frei ist.



Warnung: Explosionsgefahr – Um die Gefahr einer elektrostatischen Entladung zu vermeiden, das Gerätegehäuse nur mit einem feuchten Tuch reinigen.



DESCRIPTION

Le produit Raychem Elexant 9200i est une interface de communication sans fil, qui constitue une alternative aux systèmes câblés de surveillance et de configuration à distance des systèmes EHT (Electric Heat Tracing). Il s'intègre au logiciel Raychem Supervisor et aux contrôleurs EHT, ce qui réduit le coût d'exploitation/d'investissement total du projet.

La gamme de produits Elexant 9200i se compose des éléments suivants :

- boîtiers autonomes ;
- option de communication sans fil au sein d'un panneau de commande donné ;
- antennes externes.

Il faut au moins deux émetteurs-récepteurs radio pour établir un réseau. Les boîtiers autonomes peuvent être configurés de plusieurs manières, ce qui permet au client de choisir différentes options : matériau des boîtiers, fréquence radio et type d'antenne.

OUTILLAGE REQUIS

Petit tournevis plat, dénudeur et couteau à lame rétractable, et/ou coupe-fil

INFORMATIONS SUR LE PRODUIT

Pour plus d'informations sur le matériel et le logiciel des émetteurs-récepteurs, consulter la documentation correspondante du fabricant.

HOMOLOGATIONS

Zones d'utilisation

Classe I, Division 2 / Zones 2 (explosibles)

Homologations (pour les boîtiers)

Zones explosibles



E490519

Équipement de
commande de
processus
Zones
explosibles

Classe I, Division 2, Groupe A,B,C,D T4

Classe I, Zone 2, IIC T4

Type 4X

IP64 (FW), IP66 (SW)



IECEx UL 20.0056 X Ex ec IIC T4 Gc IP64 (FW), IP66 (SW)

DEMKO 20 ATEX 2376 X

UL21UKEX2318X

II 3G Ex ec IIC T4 Gc IP64 (FW), IP66 (SW)

VARIANTES (TOUTES LES VARIANTES NE SONT PAS DISPONIBLES DANS TOUTES LES RÉGIONS)**Boîtiers sans fil Raychem Elexant 9200i**

(Voir les remarques 1 et 2)

Description	Référence catalogue	Référence	Poids (kg/lb)
Module Elexant 9200i 868 MHz de Phoenix Contact dans un boîtier en fibre de verre avec fenêtre, antenne et trous prépercés pour l'alimentation (M25) et les communications (M20)	10392-100	9200i-E-PC-868-FW	3.9 / 8.6
Module Elexant 9200i 868 MHz de Phoenix Contact dans un boîtier en fibre de verre avec fenêtre, connexion d'antenne externe et trous prépercés pour l'alimentation (M25) et les communications (M20) - antenne et câble coaxial vendus séparément	10392-101	9200i-E-PC-868-FW-EXT	3.2 / 7.1
Module Elexant 9200i 868 MHz de Phoenix Contact dans un boîtier en acier inoxydable avec fenêtre, antenne et trous prépercés pour l'alimentation (M25) et les communications (M20)	10392-102	9200i-E-PC-868-SW	6.7 / 14.7
Module Elexant 9200i 868 MHz de Phoenix Contact dans un boîtier en acier inoxydable avec fenêtre, connexion d'antenne externe et trous prépercés pour l'alimentation (M25) et les communications (M20) - antenne et câble coaxial vendus séparément	10392-103	9200i-E-PC-868-SW-EXT	6.0 / 13.2
Module Elexant 9200i 900 MHz de Phoenix Contact dans un boîtier en fibre de verre avec fenêtre et antenne	10392-104	9200i-A-PC-900-FW	3.9 / 8.6
Module Elexant 9200i 900 MHz de Phoenix Contact dans un boîtier en fibre de verre avec fenêtre et connexion d'antenne externe - antenne et câble coaxial vendus séparément	10392-105	9200i-A-PC-900-FW-EXT	3.2 / 7.1
Module Elexant 9200i 900 MHz de Phoenix Contact dans un boîtier en acier inoxydable avec fenêtre et antenne	10392-106	9200i-A-PC-900-SW	6.7 / 14.7
Module Elexant 9200i 900 MHz de Phoenix Contact dans un boîtier en acier inoxydable avec fenêtre et connexion d'antenne externe - antenne et câble coaxial vendus séparément	10392-107	9200i-A-PC-900-SW-EXT	6.0 / 13.2
Module Elexant 9200i 2,4 GHz de Phoenix Contact dans un boîtier en fibre de verre avec fenêtre et antenne	10392-108	9200i-A-PC-024-FW	3.9 / 8.6
Module Elexant 9200i 2,4 GHz de Phoenix Contact dans un boîtier en fibre de verre avec fenêtre et connexion d'antenne externe - antenne et câble coaxial vendus séparément	10392-109	9200i-A-PC-024-FW-EXT	3.2 / 7.1
Module Elexant 9200i 2,4 GHz de Phoenix Contact dans un boîtier en acier inoxydable avec fenêtre et antenne	10392-110	9200i-A-PC-024-SW	6.7 / 14.7
Module Elexant 9200i 2,4 GHz de Phoenix Contact dans un boîtier en acier inoxydable avec fenêtre et connexion d'antenne externe - antenne et câble coaxial vendus séparément	10392-111	9200i-A-PC-024-SW-EXT	6.0 / 13.2
Module Elexant 9200i 2,4 GHz de Phoenix Contact dans un boîtier en fibre de verre avec fenêtre, antenne et trous prépercés pour l'alimentation (M25) et les communications (M20)	10392-112	9200i-E-PC-024-FW	3.9 / 8.6
Module Elexant 9200i 2,4 GHz de Phoenix Contact dans un boîtier en fibre de verre avec fenêtre, connexion d'antenne externe et trous prépercés pour l'alimentation (M25) et les communications (M20) - antenne et câble coaxial vendus séparément	10392-113	9200i-E-PC-024-FW-EXT	3.2 / 7.1
Module Elexant 9200i 2,4 GHz de Phoenix Contact dans un boîtier en acier inoxydable avec fenêtre, antenne et trous prépercés pour l'alimentation (M25) et les communications (M20)	10392-114	9200i-E-PC-024-SW	6.7 / 14.7
Module Elexant 9200i 2,4 GHz de Phoenix Contact dans un boîtier en acier inoxydable avec fenêtre, connexion d'antenne externe et trous prépercés pour l'alimentation (M25) et les communications (M20) - antenne et câble coaxial vendus séparément	10392-115	9200i-E-PC-024-SW-EXT	6.0 / 13.2

Antennes sans fil Raychem Elexant 9200i

Toutes les antennes répertoriées sont des accessoires des boîtiers indiqués ci-dessus. Elles sont mentionnées afin d'aider le client à choisir son produit. Toutefois, les homologations des boîtiers ne s'appliquent pas aux antennes. Chaque composant d'antenne doit disposer d'une certification propre correspondant à chaque utilisation. Voir la section CONDITIONS D'UTILISATION SPÉCIFIQUE pour plus d'informations.

(Voir les remarques 1 et 2)

Description	Référence catalogue	Référence	Poids (kg/lb)
Accessoire antenne Elexant 9200i 868 MHz - Antenne OMNI 2 dBi avec câble coaxial de 3 mètres, support d'antenne et presse-étoupe	10392-151	9200i-E-PC-ANT-868-OM1-3	1.4 / 3.1
Accessoire antenne Elexant 9200i 868-900 MHz - Antenne OMNI 2 dBi avec câble coaxial de 3 mètres, support d'antenne et presse-étoupe	10392-152	9200i-A-PC-ANT-900-OM2-3	1.4 / 3.1
Accessoire antenne Elexant 9200i 2,4 GHz - Antenne OMNI 2 dBi avec câble coaxial de 3 mètres, support d'antenne et presse-étoupe	10392-153	9200i-C-PC-ANT-024-OM3-3	1.4 / 3.1
Accessoire antenne Elexant 9200i 868-900 MHz - Antenne OMNI 5 dBi YAGI avec câble coaxial de 3 mètres, support d'antenne et presse-étoupe	10392-154	9200i-C-PC-ANT-900-YA1-3	2.1 / 4.6
Accessoire antenne personnalisée	9200i-ANT-C	9200i-ANT-C	N/A

Remarques :

- De nombreux pays restreignent l'utilisation des fréquences radio. En général, les fréquences ci-dessous peuvent être utilisées comme suit :
 - 868 MHz – Europe, Moyen-Orient, Asie, Inde
 - 900 MHz – Amérique du Nord
 - 2,4 GHz – Monde entier
- Le document du fabricant contient des informations régionales spécifiques supplémentaires.

AVERTISSEMENT :

Ce composant est un dispositif électrique qui doit être installé correctement pour garantir un fonctionnement adéquat et éviter les chocs électriques et les incendies.

CARACTÉRISTIQUES GÉNÉRALES

Compatibilité électromagnétique	Conformité aux directives CEM 2004/108/EC et 2004/30/EU
Tension d'alimentation	100 – 240 V c.a., 50-60 Hz
Consommation électrique interne	< 9 W (900 MHz), 2W (868MHz et 2,4GHz)
Puissance d'émission	< 1 W

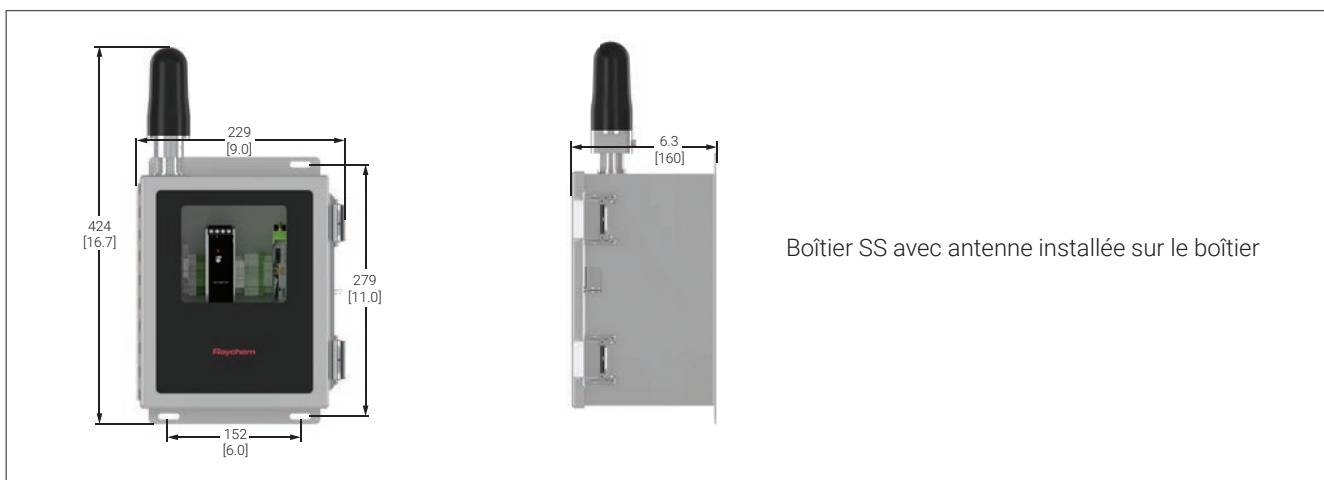
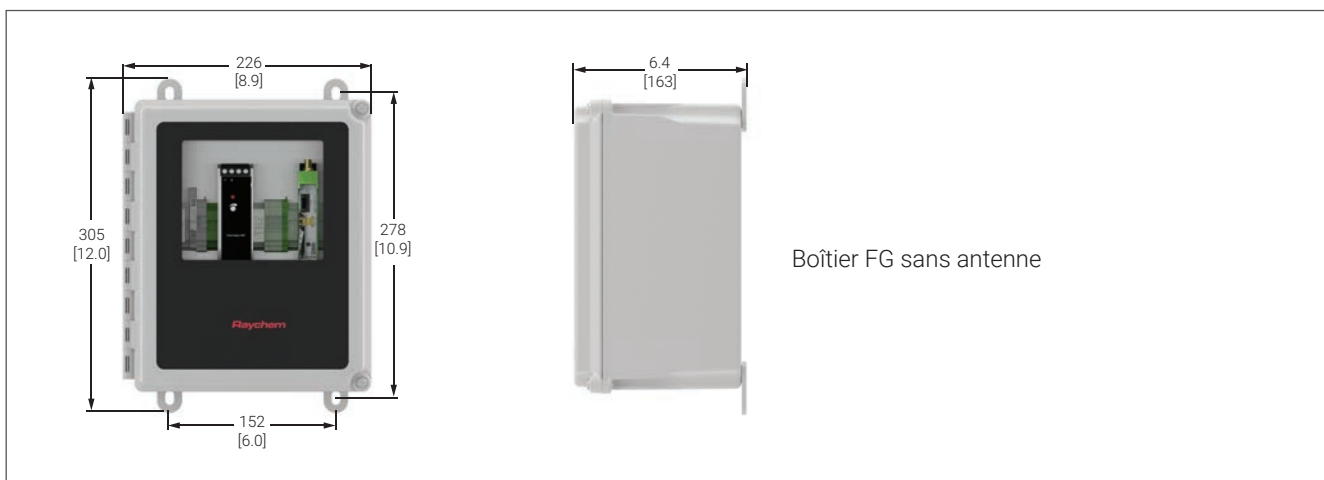
ENVIRONNEMENT

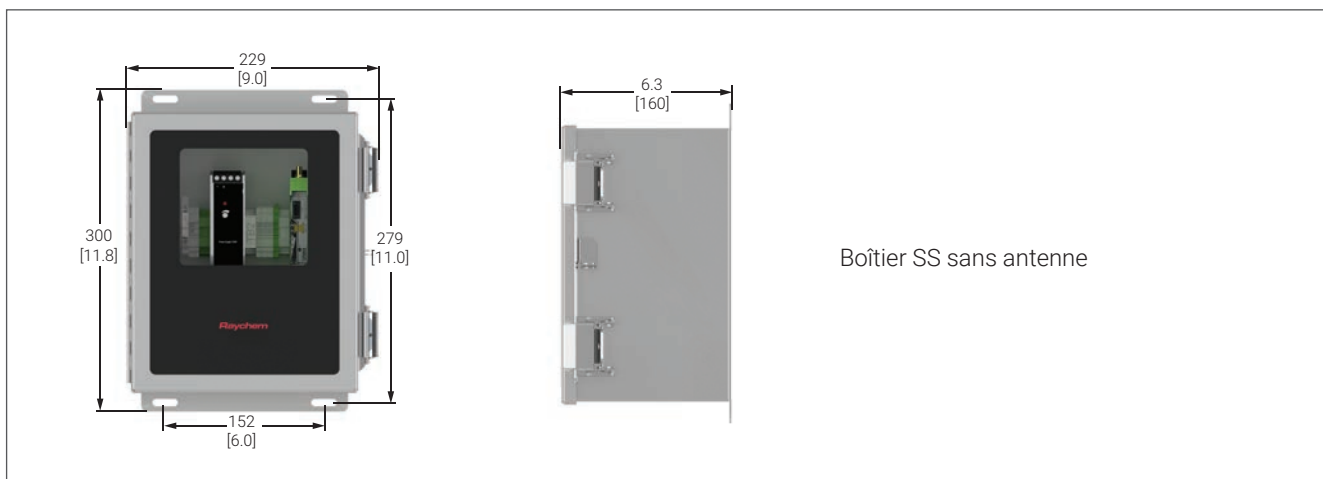
Protection	NEMA 4X, IP64 (boîtier en fibre de verre), IP 66 (boîtier en acier inoxydable)
Matériaux	Fibre de verre ou acier inoxydable (SS304)
Température ambiante de service	De -40 °C à 47 °C (de -40 °F à 116 °F), variantes cULus De -40 °C à 52 °C (de -40 °F à 125 °F), variantes IECEx / ATEX / UKEx
Température ambiante de stockage	De -67 °F à 185 °F (-de 40 °C à 85 °C)
Humidité relative	De 20 % à 85 % sans condensation
Environnement	PD2, CAT III
Altitude max.	2 000 m (6 562 pi)

MONTAGE DU BOÎTIER ELEXANT 9200I

La méthode de montage idéale permet de sécuriser le boîtier sur un support de canal ou sur d'autres éléments structurels, à l'aide du matériel de montage fourni.

Dimensions de boîtier standard : mm [pouces]





CONNEXIONS ET INDICATEURS

Entrée d'alimentation	Borne de fusible, 0,14 – 6 mm ² (26 – 10 AWG), couple 0,6 – 0,8 Nm
	Borne neutre, 0,5 – 6 mm ² (20 – 10 AWG), Cage Clamp
	Borne de terre, 0,5 – 6 mm ² (20 – 10 AWG), Cage Clamp
Temp. nominale min. du conducteur	80 °C (176 °F)
Communications RS-485	Borne de communication, 0,25 – 4 mm ² (22 – 12 AWG), Cage Clamp
	Borne de terre, 0,25 – 4 mm ² (22 – 12 AWG), Cage Clamp

A. Câblage TB-1

Bornes	Fonction
1	Entrée d'alimentation (L1)
2	Entrée d'alimentation (N)
PE	Terre (G)

B. Câblage TB-2

Bornes	Fonction
1	RS-485 +
2	RS-485 -
IE REMARQUE 1	RS-485 blindage (SH)
PE	Terre (G)

Remarque 1 : Pour assurer l'isolation de la terre d'un câble de communication blindé, retirer le cavalier entre IE et PE.

C. Connexion d'antenne

Remarque : Les connexions d'antenne interne sont effectuées en usine. Un raccordement externe est effectué si l'antenne utilisée est externe. La méthode de connexion correspondante est indiquée.

D. Voyants d'état – émetteurs-récepteurs radio

PWR	Voyant vert d'état de la tension d'alimentation
Éteint	Aucune tension d'alimentation
Allumé	Tension d'alimentation présente

DAT	Voyant vert d'état des bus de communication
Éteint	Aucune communication
Clignotement	Unité en mode Configuration
Allumé	Communication cyclique de données






⚠ AVERTISSEMENT :






Risque d'électrocution. Mettre hors tension avant d'accéder aux bornes

ERR	Voyant rouge d'erreur
Éteint	Aucune erreur
Clignotement lent (1,4 Hz)	Quand l'unité est configurée pour le mode de données d'E/S
	Double attribution d'adresse E/S
	Module d'entrée manquant
	Module de sortie manquant
	ID RAD modifié
	Quand l'unité est configurée pour le mode RTU Modbus/PLC
	Double attribution d'adresse E/S
	ID RAD modifié
	Aucune communication Modbus
Clignotement rapide (2,8 Hz)	Connexion sans fil interrompue
Allumé	Erreur de bus local

RX	Voyant vert indiquant la réception de donnée par transmission sans fil avec interface série
-----------	---

TX	Voyant vert indiquant l'émission de donnée par transmission sans fil avec interface série
-----------	---

Voyants - En barres		Voyants vert et jaune indiquant la puissance de signal de réception	
État des voyants	Voyants	Signal de réception	Tension RSSI
	4 voyants allumés	Connexion avec puissance de signal de réception maximale	2,5 à 3,0 V
	1 voyant jaune et 2 voyants verts allumés	Connexion avec puissance de signal de réception très satisfaisante	2,0 à 2,5 V
	1 voyant jaune et 1 voyant vert allumés	Connexion avec puissance de signal de réception satisfaisante	1,5 à 2,0 V
	1 voyant jaune allumé	Connexion avec puissance de signal de réception faible	1,0 à 1,5 V
	Tous les voyants éteints	Non connecté Mode Configuration Surcharge	0 V c.c.

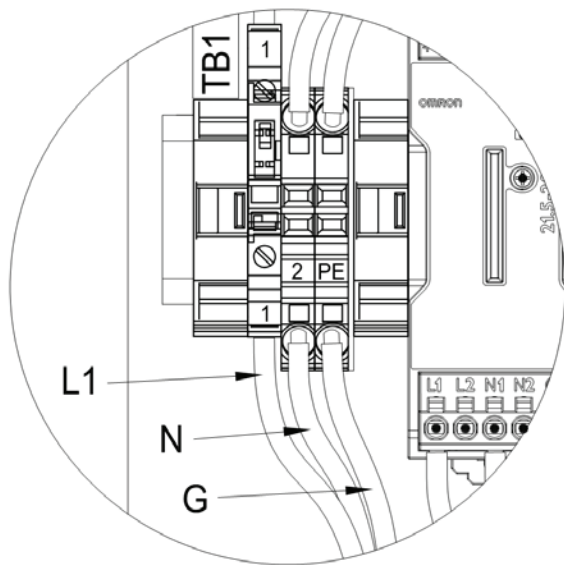
Fréquence radio de 868 MHz						
Voyants - En barres	1,2k	9,6k	19,2k	60k	120k	Tension RSSI
	-90 dBm	-85 dBm	-80 dBm	-75 dBm	-70 dBm	>= 2,5 V
	-100 dBm	-95 dBm	-90 dBm	-85 dBm	-80 dBm	>= 2,0 V
	-110 dBm	-105 dBm	-100 dBm	-95 dBm	-90 dBm	>= 1,5 V
	CONNECTÉ	CONNECTÉ	CONNECTÉ	CONNECTÉ	CONNECTÉ	~1,0 V
	Non connecté, mode Configuration ou surcharge					0 V

Fréquence radio de 900 MHz					
Voyants - En barres	16k	125k	250k	500k	Tension RSSI
	-75 dBm	-70 dBm	-65 dBm	-60 dBm	2,5 à 3,0 V
	-85 dBm	-80 dBm	-75 dBm	-70 dBm	2,0 à 2,5 V
	-95 dBm	-90 dBm	-85 dBm	-80 dBm	1,5 à 2,0 V
	CONNECTÉ	CONNECTÉ	CONNECTÉ	CONNECTÉ	1,0 à 1,5 V
	Non connecté, mode Configuration ou surcharge				0 V

Fréquence radio de 2,4 GHz				
Voyants - En barres	16k	125k	250k	Tension RSSI
	-70 dBm	-65 dBm	-60 dBm	$\geq 2,5$ V
	-80 dBm	-75 dBm	-70 dBm	$\geq 2,0$ V
	-90 dBm	-85 dBm	-80 dBm	$\geq 1,5$ V
	CONNECTÉ	CONNECTÉ	CONNECTÉ	$\sim 1,0$ V
	Non connecté, mode Configuration ou surcharge			0 V

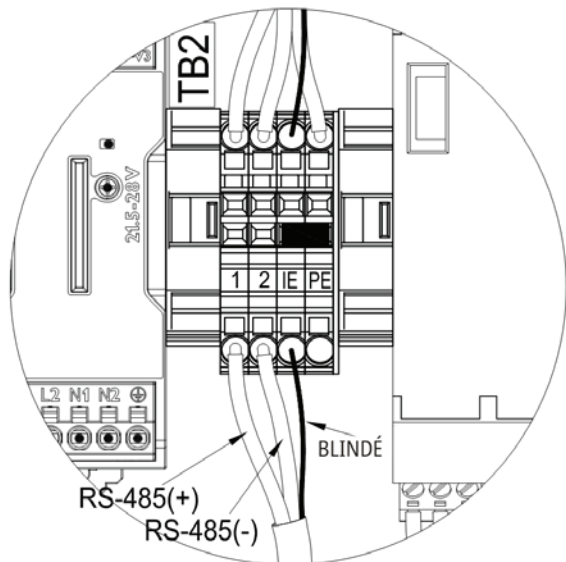
1. ALIMENTATION D'ENTRÉE

Le raccordement de l'alimentation d'entrée est réalisé au niveau des bornes à vis du bornier TB-1.



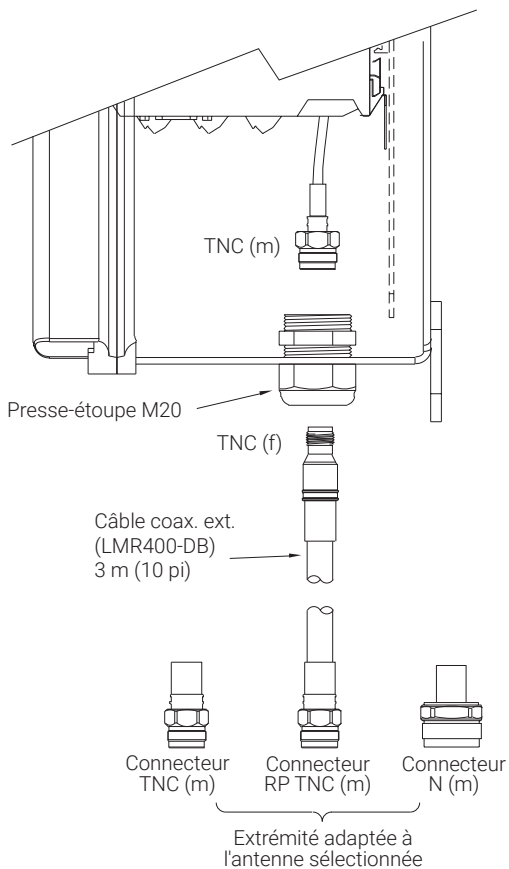
2. CONNEXIONS RS-485

Les câbles de communication RS-485 peuvent être raccordés directement aux bornes à vis du bornier TB-2.



3. CONNEXION COAXIALE D'ANTENNE

En fonction du produit acheté, il faudra peut-être raccorder une antenne externe.



CONDITIONS D'UTILISATION SPÉCIFIQUES

- Le boîtier du dispositif doit être équipé d'un mécanisme de verrouillage nécessitant l'utilisation d'un outil pour y accéder.
- Afin de conserver un environnement de pollution interne de type 2, après l'ouverture du boîtier, vérifier l'absence de poussière ou de condensation visible. Mettre le dispositif sous tension et le laisser monter en température pendant 5 minutes avant de fermer la porte du boîtier.
- À installer uniquement dans des endroits soumis à de faibles risques d'impacts mécaniques.
- Les équipements insérés dans les ouvertures des boîtiers doivent être homologués pour une utilisation en zone 2 ATEX / UKEx / IECEx et présenter un indice IP identique ou supérieur à celui des boîtiers. Guide général des positions d'entrée de câble dans le presse-étoupe ou coté boîtier :
 - Le diamètre de trou maximal correspond au diamètre de filetage le plus élevé du presse-étoupe plus 0,7 mm (0,03").
 - Espace plein minimum entre les trous : Presse-étoupes M16 à M32 : 15 mm (0,59") Presse-étoupes M35 à M75 : 20 mm (0,79") Presse-étoupes M75 à M100 : 35 mm (1,38"). Avant de percer la paroi d'un boîtier ou la plaque d'un presse-étoupe, vérifier que le presse-étoupe sélectionné ne va pas interférer avec la rondelle d'étanchéité et le contre-écrou.
 - Sélectionner un presse-étoupe correspondant à l'application et présentant les certifications adéquates. Vérifier que tous les accessoires de presse-étoupe pour l'installation dans les trous sont inclus, par exemple, un contre-écrou et des rondelles d'étanchéité.
 - Installer le presse-étoupe conformément aux instructions du fabricant.
 - Les trous doivent être disposés de sorte à éviter toute interférence entre la rondelle d'étanchéité/le contre-écrou et le joint.
- Les antennes externes et leurs accessoires doivent être adaptés à une utilisation en zone 2 ATEX / UKEx / IECEx et présenter un indice IP identique ou supérieur à celui des boîtiers.
- Le fusible de courant d'entrée peut être remplacé par l'utilisateur. Voir la nomenclature des boîtiers pour connaître le courant nominal, le modèle et la référence corrects du fusible. Avant de remplacer un fusible, le désactiver ou le déconnecter de l'alimentation. Lors du remplacement, retirer la prise/le boîtier du fusible, remplacer le fusible en suivant les instructions ci-dessus, fermer et réinstaller correctement la prise/le boîtier du fusible.



AVERTISSEMENT – Risque D'explosion - La substitution de composants peut rendre ce matériel inacceptable pour les emplacements de Classe I, Division 2

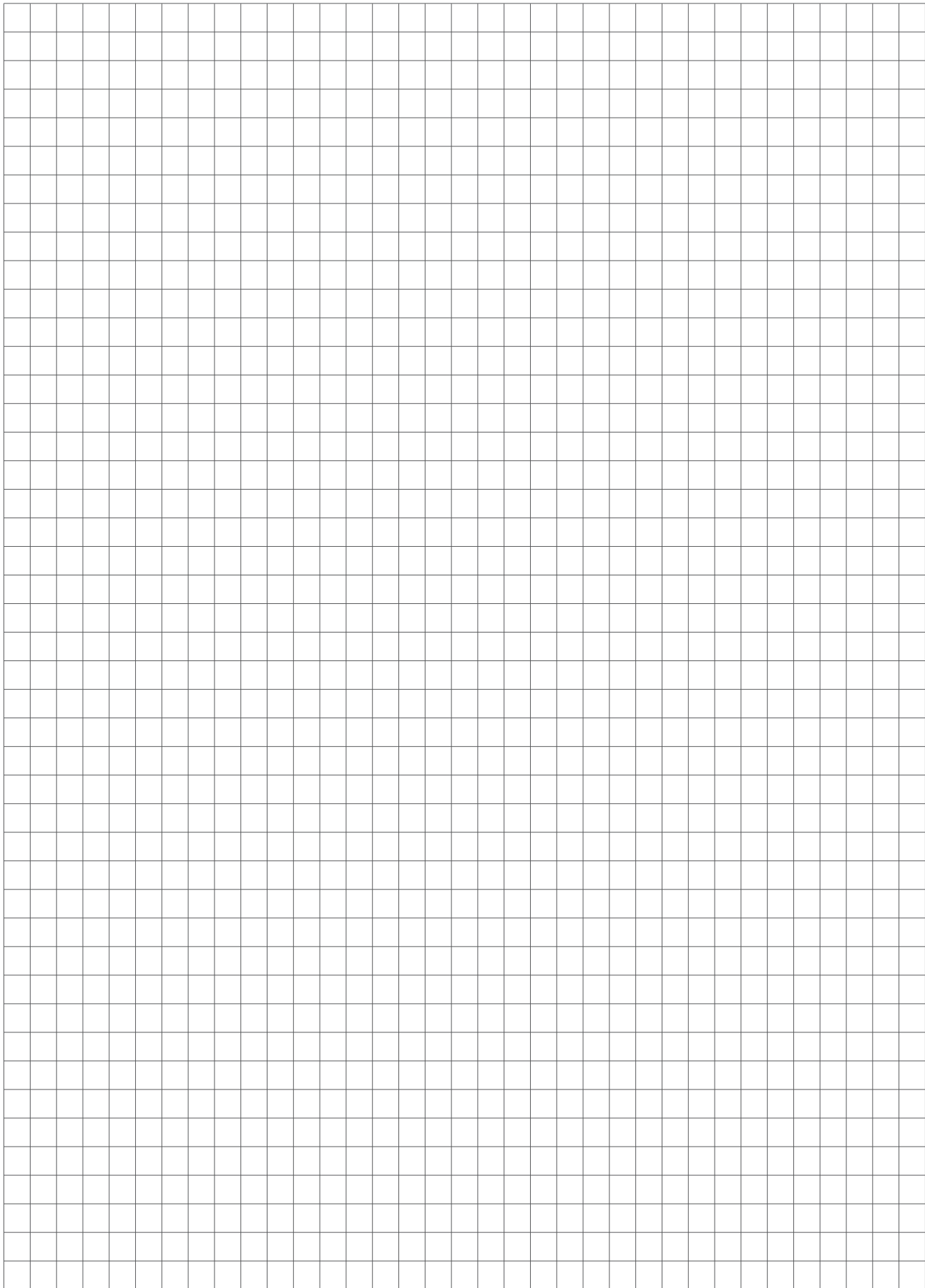


AVERTISSEMENT – Risque D'explosion - Avant de débrancher l'équipement, couper le courant ou s'assurer que l'emplacement est désigné non dangereux



AVERTISSEMENT – Risque D'explosion - Pour éviter tout risque de décharge électrostatique, ne nettoyez le boîtier de l'appareil qu'avec un chiffon humide





North America

Tel +1 800 545 6258
info@chemelex.com

Europe, Middle East, Africa, India

Tel +32 16 213 511
Fax +32 16 213 604
info@chemelex.com

Asia Pacific

Tel +86 21 2412 1688
infoAPAC@chemelex.com

Latin America

Tel +1 713 868 4800
info@chemelex.com

chemelex
excellence is everything

Raychem

Tracer

Pyrotenax

Nuheat