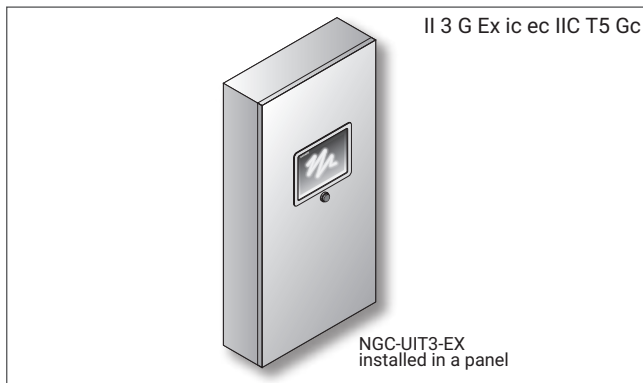


NGC-UIT3-EX

User interface terminal for Raychem NGC systems installation instructions



CERTIFICATIONS / APPROVALS

- TYPE 4X, IP65 protection on front panel
- FCC Part15 Subpart B/ICES 003 Class A
- CE marking
 - Low Voltage Directive (2014/35/EU) EN 62368-1:2014 / A11:2017
 - EMC Directive (2014/30/EU) EN 55032:2015 EN 55035:2017
- Conforms to UL 62368-1, 2nd Ed, 2014-12-01; CAN/CSA C22.2 No. 62368-1-14, 2nd Ed, Issued: 2014-12-01; UL 60950-1, 2nd Edition, 2019-05-09 ; CAN/CSA C22.2 No. 60950-1-07, 2nd Edition, 2014-10
- ATEX Directive (2014/34/EU)
 - EN 60079-0:2017
 - EN 60079-11:2012
 - EN 60079-7: 2015 +A1:2018
- IECEx
 - IEC 60079-0 2017
 - IEC 60079-11 2012
 - IEC 60079-7, 5.1 Ed



II 3 G Ex ic ec IIC T5 Gc



DESCRIPTION

The Raychem NGC-UIT3-EX is a panel mounted display used in conjunction with other Raychem control and monitoring devices. The NGC-UIT3-EX is rated IP 65 (Type 4X), and can be mounted indoors or outdoors. The NGC-UIT3-EX kit includes all hardware required for mounting in a suitable electrical panel. Additional materials are required for electrical connections and are detailed below. These instructions describe how to mount the NGC-UIT3-EX in an electrical panel and are intended only for qualified personnel experienced in panel construction.

KIT CONTENTS

Qty	Description
1	NGC-UIT3-EX
12	6/32 in Kep nuts (locking nuts)
1	5-ft 9-pin RS-232 (Null Modem) cable

TOOLS REQUIRED

- Masking tape
- Metal file
- In-line torque wrench with 8 mm (5/16 in) socket
- Jig saw (recommend using carbon steel blade with 24TPI)
- #16 5 mm (3/16 in) drill bit

ADDITIONAL MATERIALS (TO BE ORDERED SEPARATELY)

Qty	Description	Manufacturer	Manufacturer Part Number
3	Alarm relays – 12 Vdc, 5 A, SPDT	Square D	8501RSD34V51
3	Alarm relay sockets	Square D	8501NR45B
1	Pilot light 12 Vdc	IDEC Corporation	APW199DR12V

Note: Equivalent parts may be used.

General

Area of Use	Ordinary (nonhazardous) and Hazardous locations, indoors or outdoors (IP65, Type 4X)
Supply Voltage	12 -27VDC, 3A - 1.1A respectively, 30W max / 16W nominal, AWG 16-20 (1.31 mm ² 0.52 mm ²)
Operating Temperature	-40°C to 60°C (-40°F to 140°F)
Min. Storage Temperature	-40°C to 80°C (-40°F to 176°F)
Dimensions	279 mm W X 229 mm H X 70 mm D (11 in. W X 9 in. H X 2.75 in. D)
Humidity Range	10 to 90% Non-Condensing
Wire rating	85°C or higher
Recommended Screw Torque	5.5 in lbs (0.62Nm)

Alarm Outputs

Transistor open collector outputs 5 – 30 Vdc with a max. sink current of 500 mA, AWG 16-20 (1.31 mm² - 0.52 mm²)

Use to drive external relays Relays may be assigned for alarm outputs.

LCD Display

Display LCD is a 8.4 in color XGA with integral LED backlight.

Touch Screen 5-wire resistive touch screen interface for user entry; compatible with glove use

Network Connection

Local/ Remote Port Raychem RS-232/RS-485 ports may be used to communicate with host computers (Raychem Supervisor Software) or DCS

Local RS-232 A non-isolated, 9 pin D sub male

Remote RS-485 #2 2-wire isolated

Data Rate 9600 to 57600 baud.

Maximum cable length For Raychem RS-485 cable to be shielded twisted pair, not to exceed 1200m (4000 ft).

Field Port RS-485, 2-wire isolated. Used to communicate with external devices, such as Raychem NGC-30-CRM and RMM2. Maximum cable length not to exceed 1200 m (4000 ft). Cable to be shielded twisted pair.

Field RS-485 #1 2-wire isolated

Data Rate To 9600 baud

LAN 10/100 Base-T Ethernet port with Link and Activity Status LEDs

USB Ports USB 2.0 Host port Type A receptacle (X2)

⚠ WARNING:

Do not connect/disconnect equipment unless power has been switched off or the area is known to be non-hazardous. Ne débranchez pas l'équipement tant que l'alimentation est coupée ou que la zone est connue pour être non dangereuse.

⚠ IMPORTANT:

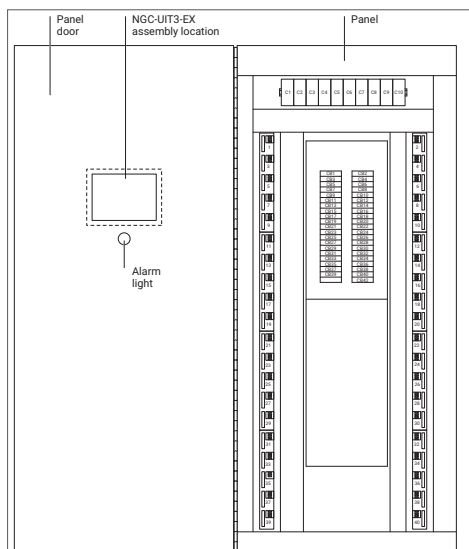
- Use appropriately classified and listed Power Supply (Limited Power Source, or LPS). Follow all applicable wiring codes and regulations.
- Peripheral equipment must be suitable for the location in which it is used.
- There are no non-incendive circuits or non-incendive field wiring within or associated with the unit.
- Only technically qualified service personnel are permitted to install or service the equipment.
- Do not disassemble the system - no user-serviceable parts inside.
- Do not operate the equipment if it has been damaged.
- Utilisez une source d'alimentation correctement classée et répertoriée (source d'énergie limitée ou LPS). Suivez tous les codes et normes de câblage applicables.
- L'équipement périphérique doit être adapté à l'emplacement dans lequel il est utilisé.
- Il n'y a pas de circuits non incendiaires ni de câbles de terrain non incendiaires à l'intérieur ou associés avec l'équipement.
- Seul le personnel qualifié est autorisé à installer ou à entretenir l'équipement.
- Ne pas démonter le système - aucune pièce interne ne peut être réparée par l'utilisateur.
- N'utilisez pas l'équipement s'il a été endommagé.

Provide Suitable Panel Enclosure, and Determine Locations for NGC-UIT3-EX Assembly in Panel

1. Provide suitable panel enclosure

To protect its electronic components, the Raychem NGC-UIT3-EX must be mounted in a panel with a minimum IP32 (Type 1) enclosure for non-hazardous indoor locations. An IP52 (Type 12) or better enclosure is recommended. An IP54 (Type 4) or better enclosure is required for hazardous locations. The NGC-UIT3-EX assembly comes with a sealing gasket and hardware to mount the enclosure.

Note: The NGC-UIT3-EX is designed for operation in ambient temperatures from -40°C to 60°C (-40°F to 140°F). If the ambient temperature is outside this range, a space heater and/or cooling fan will be required in the panel.



2. Determine locations for the NGC-UIT3-EX assembly in the electrical panel

The NGC-UIT3-EX should be located on the front of the panel near eye level (for convenient viewing). The NGC-UIT3-EX assembly is an electronic unit and must not be located where it will be exposed to strong magnetic fields or excessive vibration.

Conditions of Safe Use in Hazardous (Explosive) Atmospheres

The equipment must be installed in a low risk mechanical danger environment. The equipment shall only be used in an area of at least pollution degree 2, as defined in IEC/EN 60664-1.

The equipment shall be installed in a back enclosure with tool removable door or cover that provides a degree of protection not less than IP54 in accordance with IEC/EN 60079-0 rated for

- Internal and external ambient of: -40°C to +60°C
- ATEX / IECEx: Zone 2 or better
- US / CAN: Class I Div 2 or better

Provisions shall be made external to the equipment to provide transient protection at a level not exceeding 140% at the power supply terminals

Conditions d'utilisation en toute sécurité dans des atmosphères dangereuses (explosives)

Cet équipement doit être installé dans un environnement à faible risque de dommages mécaniques.

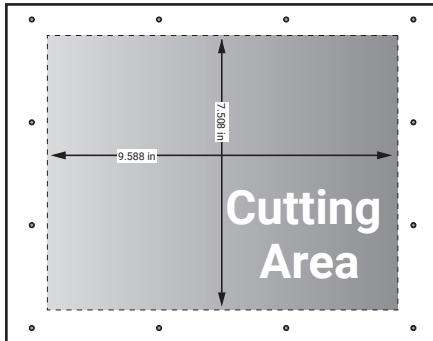
Cet équipement doit être installé dans une armoire ou un panneau classé pour les zones dangereuse comme suit:

- Ambiance interne et externe de: 40°C à + 60°C
- Indice de protection minimum IP54
- ATEX / IECEx: Zone 2 ou mieux
- US / CAN: Type 4 ou supérieur
- Ne peut être ouvert qu'à l'aide d'un outil

Cut Opening and Mount NGC-UIT3-EX on Front of Panel

1. Locate the NGC-UIT3-EX on front of panel

Locate the NGC-UIT3-EX assembly on the front of the panel at a level convenient for viewing. Make sure the cover on the back of the assembly will not interfere with existing panel hardware.



Note: Cutting the opening for the display is a craft sensitive procedure; if it is not done correctly, the panel door can be damaged. The procedure for laying out and cutting the opening for the display must be undertaken with care, and by personnel qualified and experienced in panel construction.

2. Prepare and mark the position of the display opening and mounting holes

- Use the cut-out directions to lay out the opening for the NGC-UIT3-EX display.
- Apply two layers of masking tape around the outer perimeter of the intended opening to prevent scratching the panel surface with the jigsaw.

3. Cut the display opening

Cut the opening for the NGC-UIT3-EX with a jigsaw using a 24 TPI blade. Take care not to damage the panel door. Remove all rough edges and burrs with a metal file before proceeding.

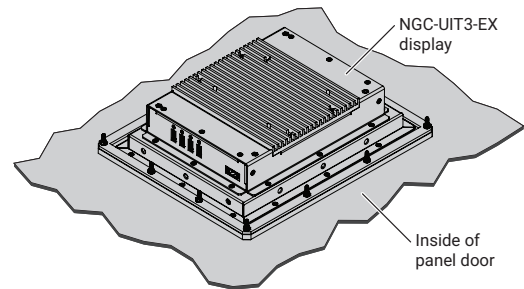
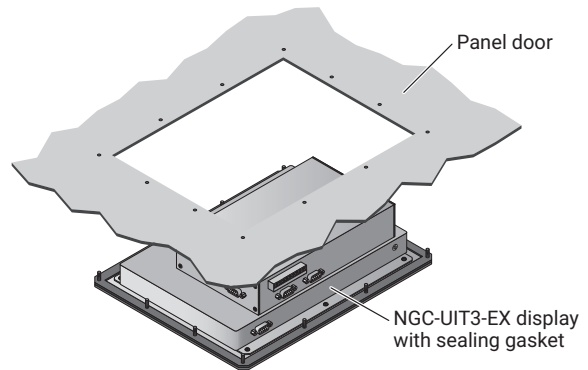
4. Drill the mounting holes

Drill the 12 holes with a #16 (3/16 in) drill bit to mount the NGC-UIT3-EX assembly in the panel.

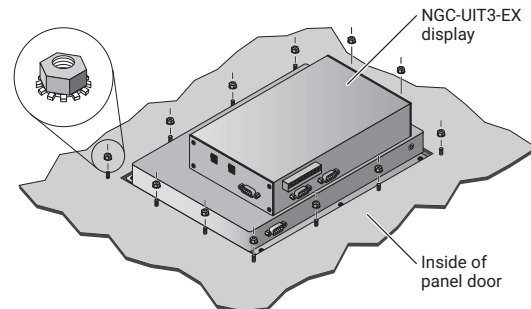
Note: The following steps are most easily accomplished if the panel door is on a horizontal surface.

5. Mount the user interface assembly onto the panel door

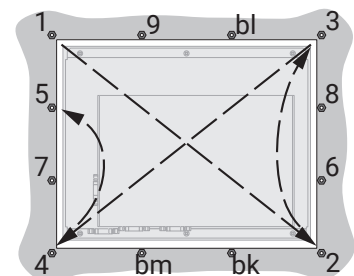
- Place the NGC-UIT3-EX assembly in position; the twelve studs go through the twelve holes on the NGC-UIT3-EX assembly mounting plate (see figure below).



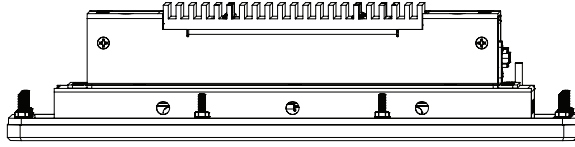
- Place the supplied 6/32 in Kep nuts on each of the twelve mounting studs. Fasten only hand tight.



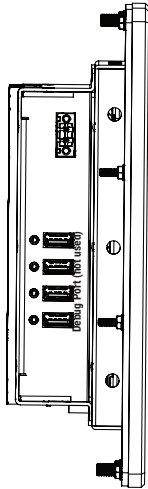
- Look at the front of the panel, and align the NGC-UIT3-EX assembly so it is level (loosen nuts if necessary to reposition the NGC-UIT3-EX assembly).
- After the display is properly positioned, tighten the nuts to 0.62 newton-meters (5.5 inch-pounds) of torque using a 8 mm (5/16 in) in-line torque wrench. **Do not overtighten and risk damage to hardware.**
- **Tighten Kep nuts in the sequence shown for proper sealing.**



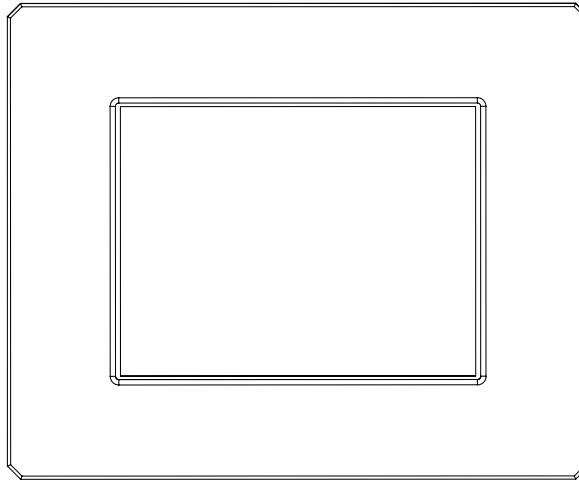
NGC-UIT3-EX Connection Diagram



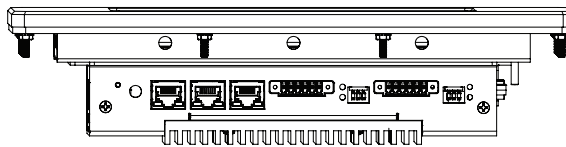
Top view



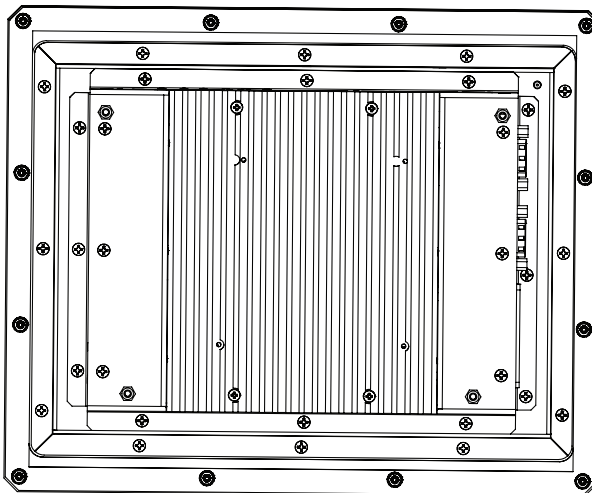
Side View



Front view



Bottom View



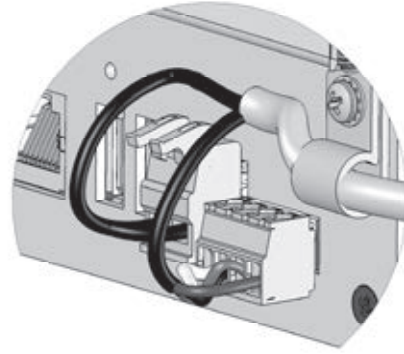
Back view

Connect Power

Connect 12 Vdc to the male power connection fitting located on the left side of the NGC-UIT3-EX. The “+” lead should go to the terminal marked “9–30 Vdc” and the “-” lead should go to the terminal marked “GND”. Ensure the cables are routed through the cable clamp as shown.

Note: The NGC-UIT3-EX is rated for 9–30 Vdc. Since the NGC-30-CRM modules are rated for 12 Vdc, we have used this voltage to also power the NGC-UIT3-EX. As a result, the recommend alarm relays and lights detailed in the “Additional Materials” are rated for 12 Vdc.

Provision shall be made external to the equipment to provide transient protection at a level not exceeding 140% at the power supply terminals.

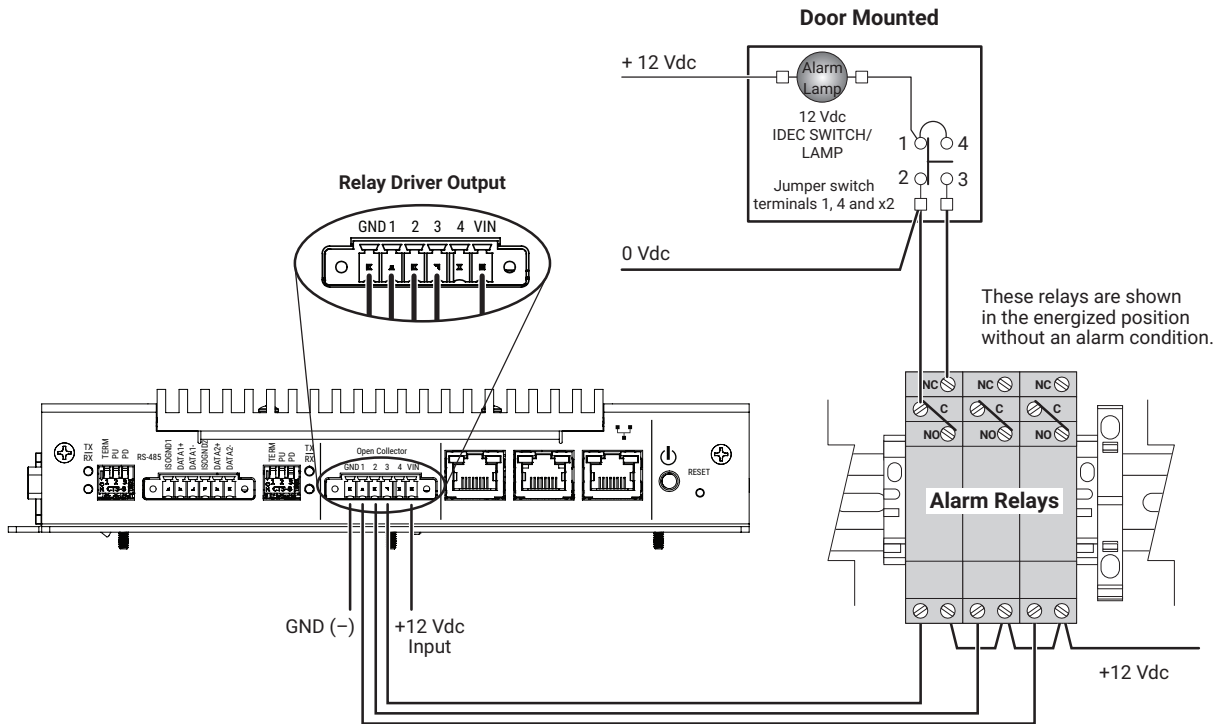


Install Common Alarm Light and Alarm Relays

Mount the 3 alarm relays on a DIN rail inside the panel enclosure. Mount the Alarm light on the panel's door below the touch screen.

Per the below drawing, bring 12 Vdc to the Relay Driver Output at the bottom of the touch screen, to the alarm relays and alarm light.

Per the below drawing, wire between the Relay Driver Output, alarm relays, and alarm light.



Communication

The NGC-UIT3-EX has two isolated RS-485 ports located at the bottom.

Field Side Port (RS-485-1)

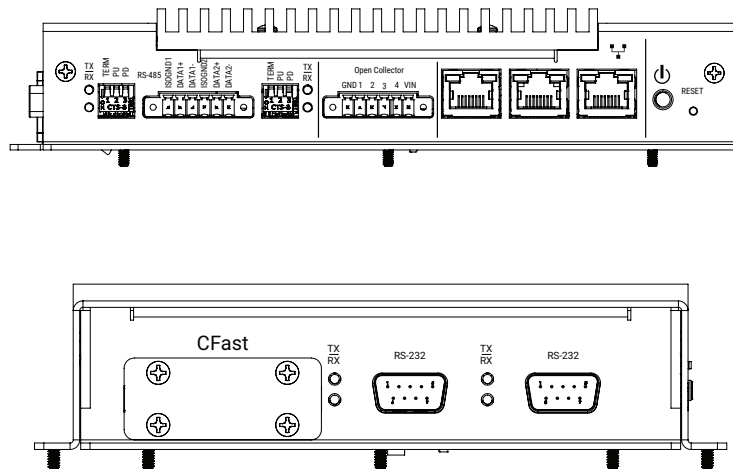
The RS-485 port labeled "RS-485-1" is the field side port that is used to communicate with ModBus devices (ie. NGC-30-CRM/S, RMM2 and NGC-20).

Host Port (RS-485-2) – Optional

The RS-485 port labeled "RS-485-2" is the Host side port that is used to communicate with to a host computer (using Raychem Supervisory Software) or to a DCS.

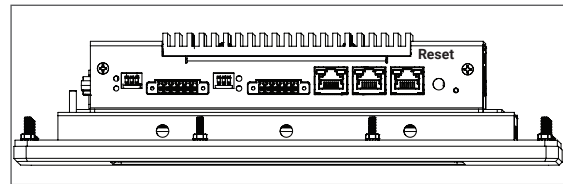
Local Host Port (RS-232) – Optional

The RS-232 port labeled "RS-232 1" is the RS-232 port that can be used as local Host port that is used to communicate with to a host computer (using Raychem Supervisory Software). If the RS-232 port is utilized, the supplied female to female, 9-pin null modem adaptor cable must be used.



RS-485 configuration switches

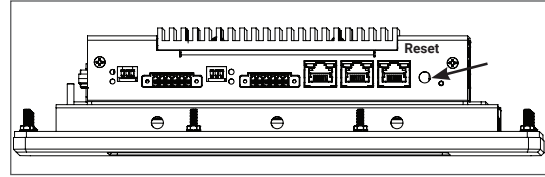
The configuration switches are found on the bottom side of the NGC-UIT3-EX. Refer to the table below for settings.



Switch	Position		Comments
	On	Off	
Pull-down	(As-shipped default) RS-485 network “-” signal is forced to a determinate state when idle.	RS-485 network “-” signal is not forced to a determinate state when idle.	One device (typically this NGC-UIT3-EX) on the RS-485 network should force the network “-” signal to a determinate state.
Pull-up	(As-shipped default) RS-485 network “+” signal is forced to a determinate state when idle.	RS-485 network “+” signal is not forced to a determinate state when idle.	One device (typically this NGC-UIT3-EX) on the RS-485 network should force the network “+” signal to a determinate state.
Termination	(As-shipped default) RS-485 network is terminated with 120-ohm resistor.	RS-485 network is not terminated.	Terminate the device (NGC-UIT3-EX or other) that is at each end of the RS-485 network, for a total of two terminated devices. No other devices on the network should be terminated.

Reset switch

The Reset switch can be found on the bottom of the NGC-UIT3-EX. A pointed object is required to press the reset switch and restart the NGC-UIT software.



Servicing

The NGC-UIT3-EX contains no user-serviceable parts. Contact your Chemelex representative for service and a return authorization number if required.

Cleaning

The touch screen area of the NGC-UIT3-EX may be cleaned with a damp cloth. Typical window cleaning agents may be applied to aid in the removal of dirt, dust and grease. **Do not use abrasive cleaners.**

Product Label

Raychem **NGC-UIT3-EX**
Part No.: R9075-8.4 Serial No.:

Power Rating: 12-27 VDC = 3A - 1.1A
UL 21 ATEX 2493X IECEx UL 21.0039X
Ⓜ II 3 G Ex ic ec IIC T5 Gc
Class I Div. 2 Groups A, B, C, D, T5
-40°C ≤ Ta ≤ 60°C

Tested to comply with FCC Class A standards.
CAN ICES3(A)/NMB3(A).

   
I.T.E. for Haz. Loc. E516513

⚠ **WARNING:** Explosion Hazard - Do not disconnect equipment unless power has been switched off or the area is known to be non-hazardous. No serviceable parts inside.
⚠ **AVERTISSEMENT:** Risque d'explosion - Ne débranchez pas l'équipement que l'alimentation est coupée ou que la zone est connue pour être non dangereux. Aucune pièce interne réparable par l'utilisateur.

©2025 Chemelex, 899 Broadway, Redwood City, CA 94063 chemelex.com
Made in USA H86323-EN 2504

North America

Tel +1 800 545 6258
info@chemelex.com

Latin America

Tel +1 713 868 4800
info@chemelex.com

Europe, Middle East, Africa, India

Tel +32 16 213 511
Fax +32 16 213 604
info@chemelex.com

Asia Pacific

Tel +86 21 2412 1688
infoAPAC@chemelex.com

chemelex
excellence is everything

Raychem Tracer Pyrotenax Nuheat