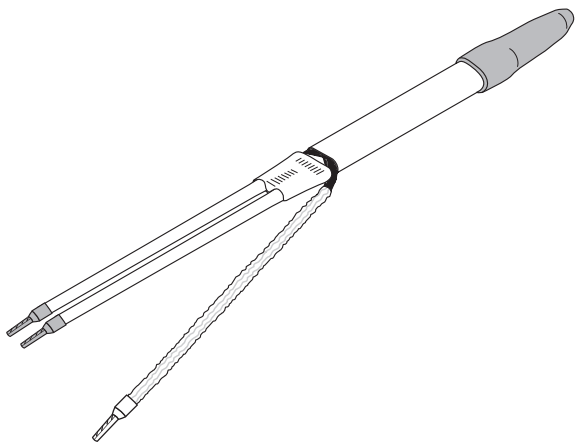


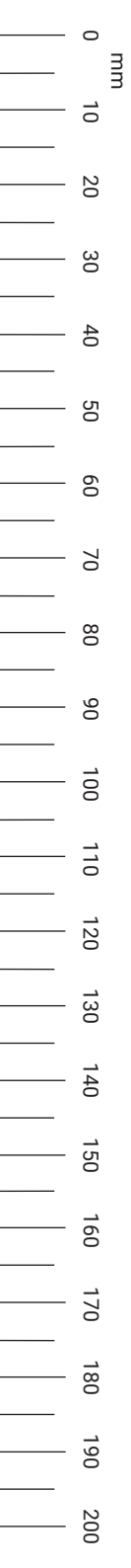
# Raychem

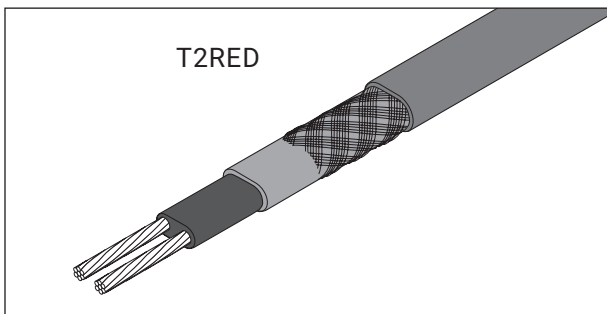
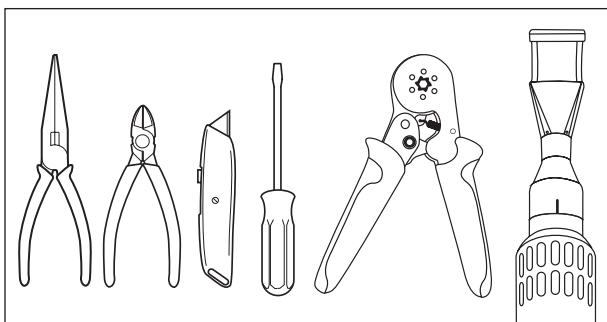
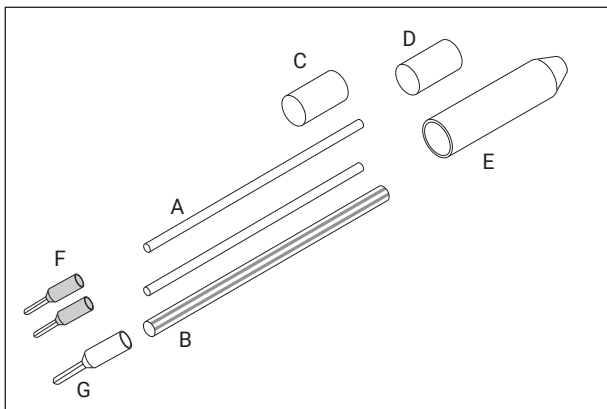
U-RD-ACC-CE  
CE-T2RED

PCN: 323608-000 - E 89 490 05 - RSK 240 80 53  
EI.nr 10 350 35 - NRF 240 76 01 / 240 75 65  
SSTL 04 309 90 - LVI 18 47 016

T2RED







**T2RED:**

C10A/230 VAC

$L_{max}$  @ start-up temp:

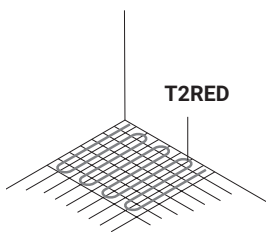
100m @ +20°C

85m @ +15°C

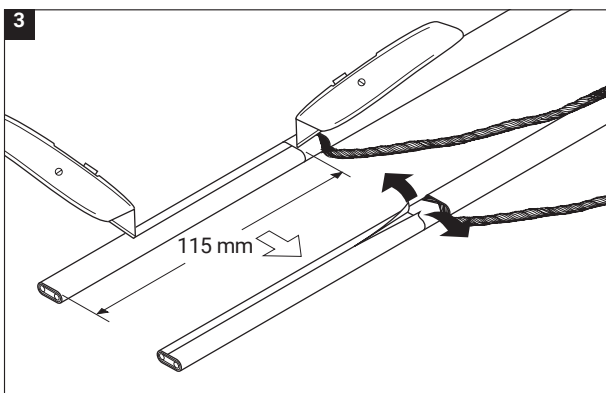
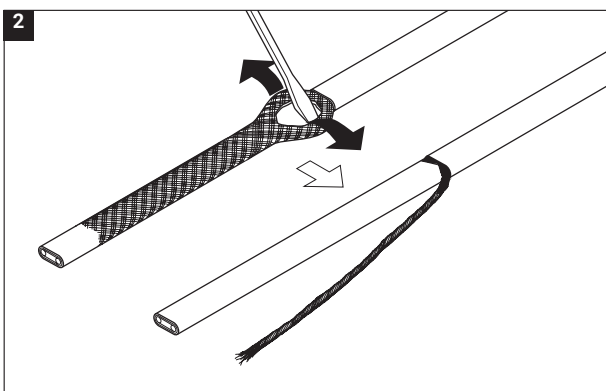
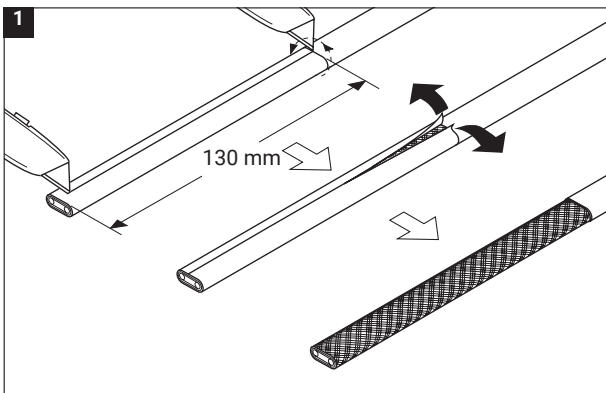
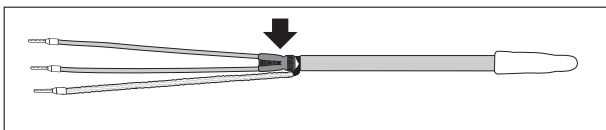
75m @ +10°C

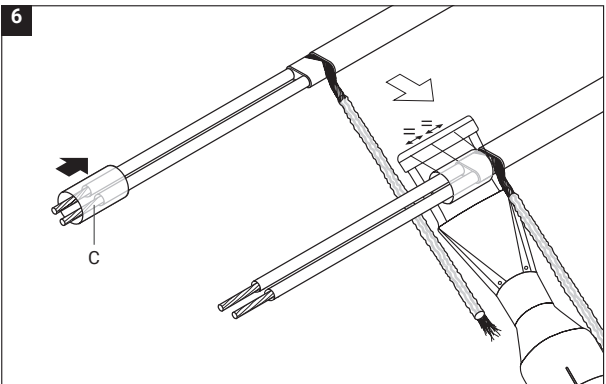
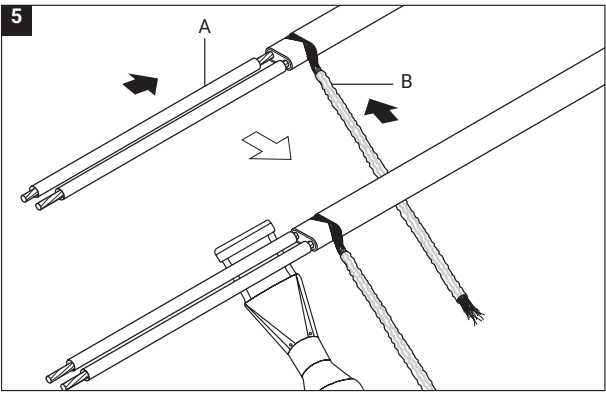
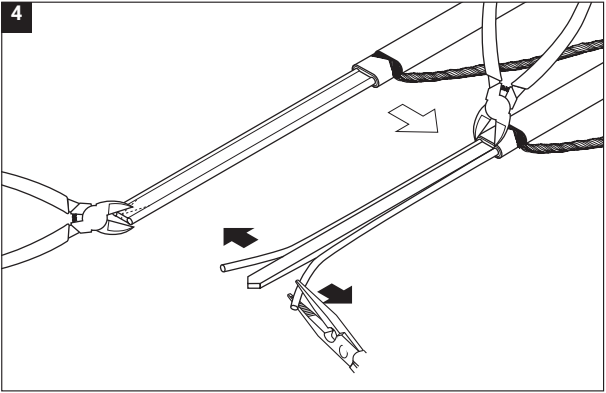
60m @ +5°C

Min. installation temp. +5°C

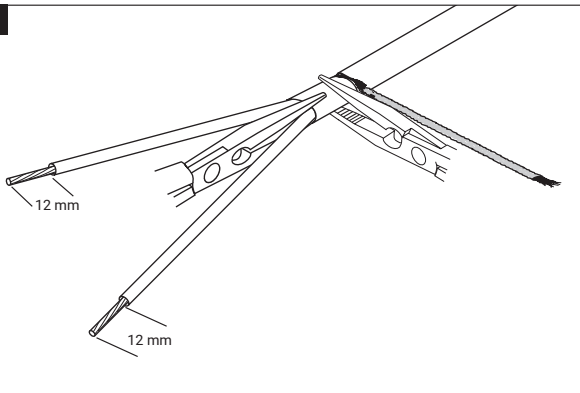


Min. 5°C

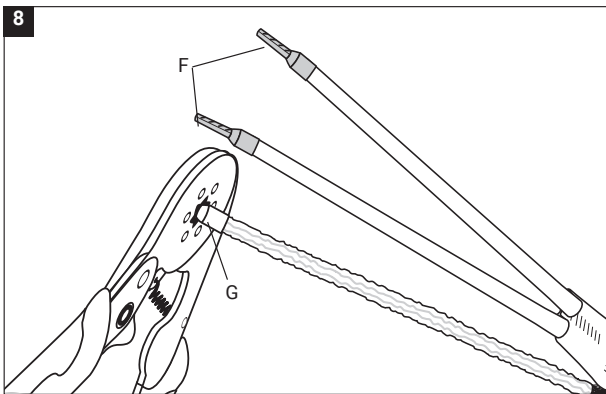


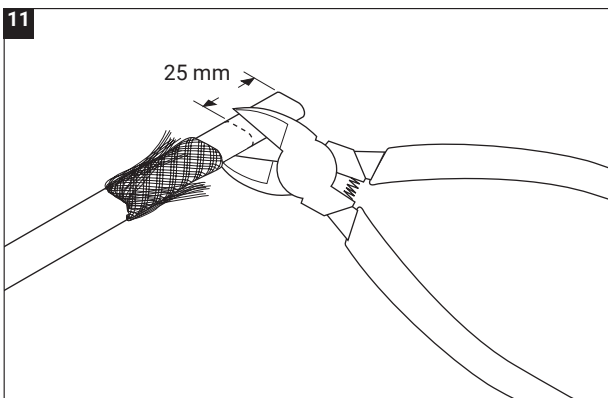
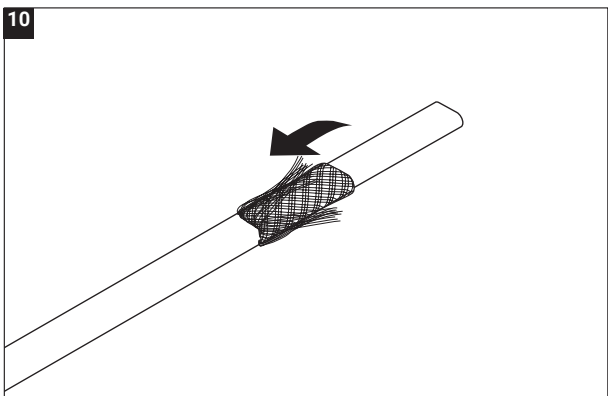
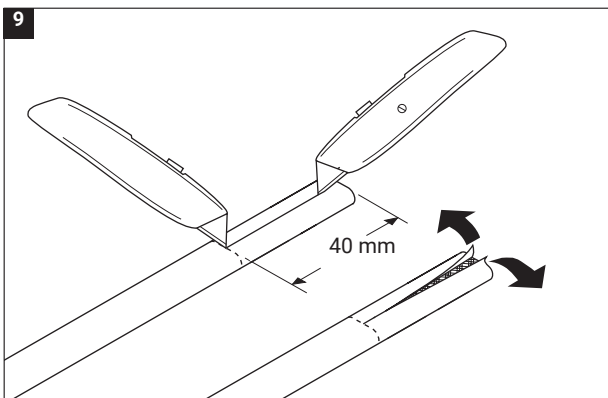
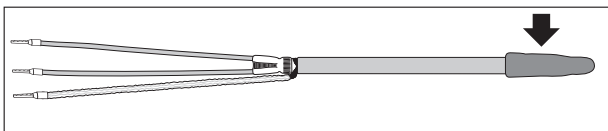


7

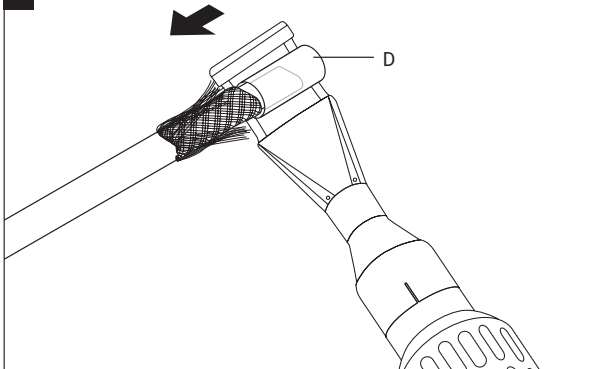


8

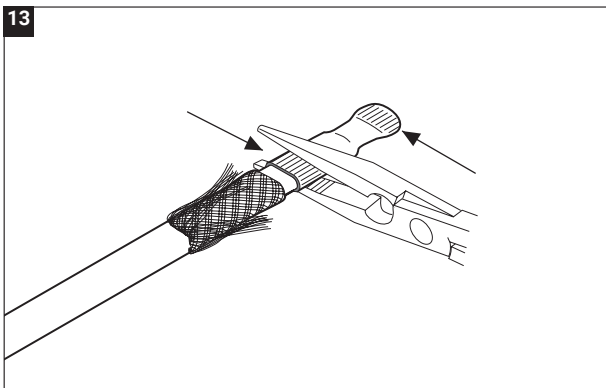




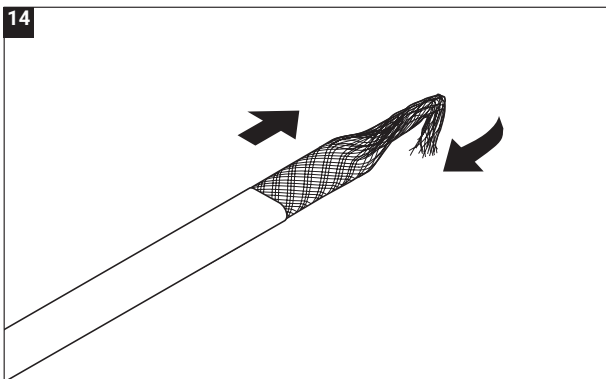
12



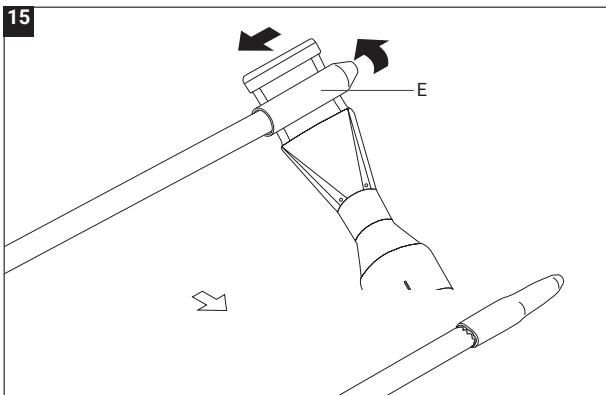
13



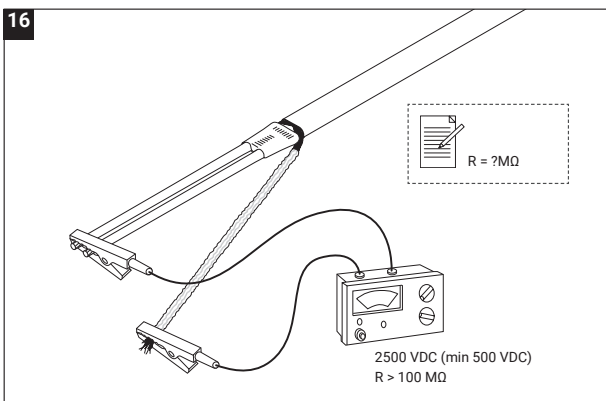
14

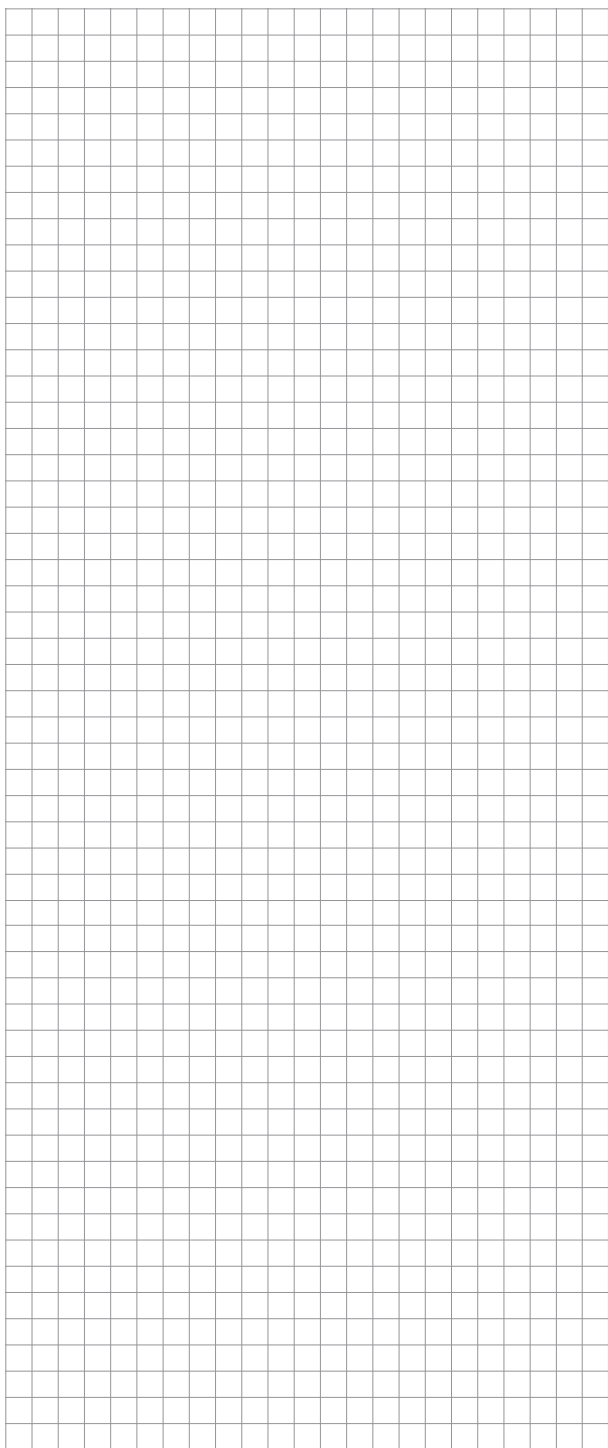


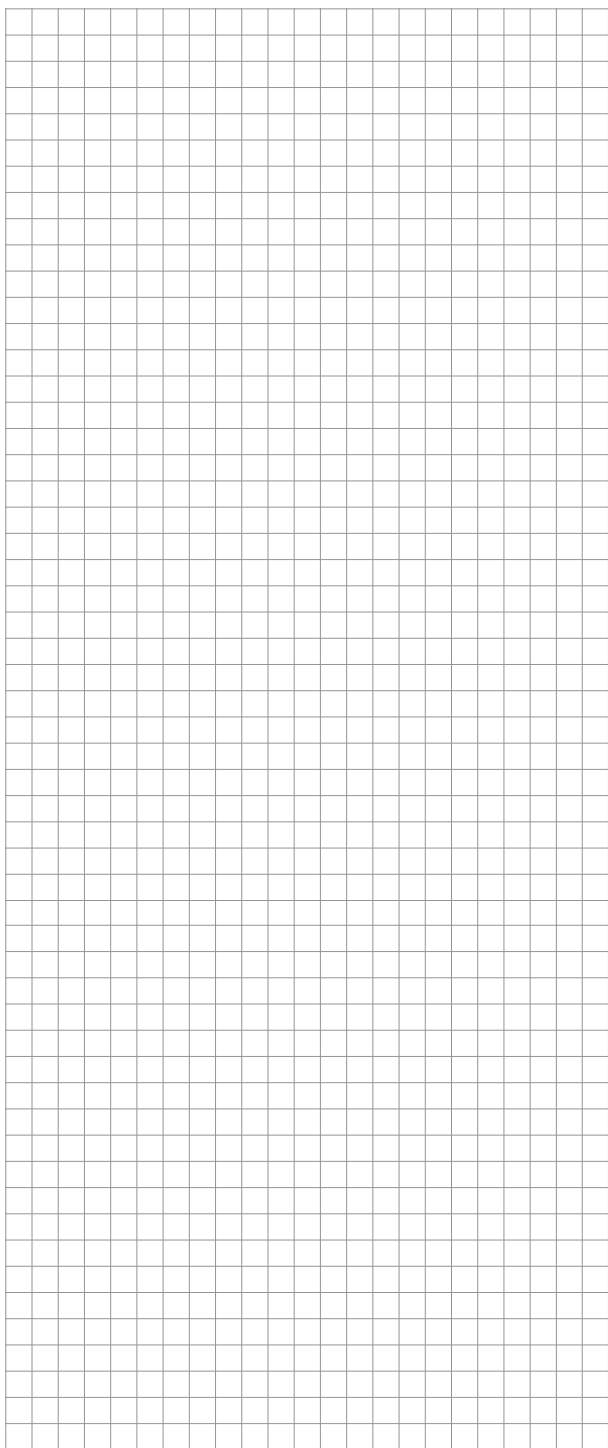
15



16







## **België / Belgique**

Tel +32 16 21 35 02  
Fax +32 16 21 36 04  
SalesBELUX@chemelex.com

## **Bulgaria**

Tel +359 2 973 33 73  
SalesEE@chemelex.com

## **Česká Republika**

Tel +420 606 069 618 (Comm)  
+420 602 232 969 (Ind)  
infoCZ@chemelex.com

## **Danmark**

Tel +45 70 11 04 00  
SalesDK@chemelex.com

## **Deutschland**

Tel 0800 181 82 05  
SalesDE@chemelex.com

## **España**

Tel +34 911 59 30 60  
Fax +34 900 98 32 64  
SalesES@chemelex.com

## **France**

Tél 0800 90 60 45  
SalesFR@chemelex.com

## **Hrvatska**

Tel +385 51 225 073 (Comm)  
+385 1 605 01 88 (Ind)  
SalesEE@chemelex.com

## **Italia**

Tel +39 02 577 61 51  
Fax +39 02 577 61 55/28  
SalesIT@chemelex.com

## **Lietuva/Latvija/Eesti**

Tel +370 698 411 56  
SalesEE@chemelex.com

## **Magyarország**

Tel +36 1 253 76 17  
SalesHU@chemelex.com

## **Nederland**

Tel 0800 022 49 78  
SalesNL@chemelex.com

## **Norge**

Tel +47 66 81 79 90  
SalesNO@chemelex.com

## **Österreich**

Tel +0800 29 74 10  
SalesAT@chemelex.com

## **Polska**

Tel +48 22 331 29 50  
Fax +48 22 331 29 51  
SalesPL@chemelex.com

## **Казакстан**

Tel +7 7112 31 67 03170  
SalesKZ@chemelex.com

## **Romania**

Tel +40 344 801 140  
SalesEE@chemelex.com

## **Serbia and Montenegro**

Tel +386 41 665 634 (Comm)  
+381 230 439 519 (Ind)  
SalesEE@chemelex.com

## **Schweiz / Suisse**

Tel +41 (41) 766 30 80  
infoCH@chemelex.com

## **Slovensko**

Tel +420 606 069 618 (Comm)  
+420 602 232 969 (Ind)  
SalesEE@chemelex.com

## **Slovenija**

Tel +386 41 665 634  
SalesEE@chemelex.com

## **Suomi**

Puh 0800 11 67 99  
SalesFI@chemelex.com

## **Sverige**

Tel +46 31 335 58 00  
SalesSE@chemelex.com

## **Türkiye**

Tel +90 545 284 09 05  
SalesEE@chemelex.com

## **UK/Ireland**

Tel 0800 969 013  
SalesUK@chemelex.com

---

**chemelex**  
excellence is everything

chemelex.com

**Raychem Tracer Pyrotenax Nuheat**

©2025 Chemelex. All Chemelex marks and logos are owned or licensed by Chemelex Europe GmbH or its affiliates. All other trademarks are the property of their respective owners. Chemelex reserves the right to change specifications without notice.

RAYCHEM-IM-INST212-URDACCCE-ML-2510

PCN 6012-4001